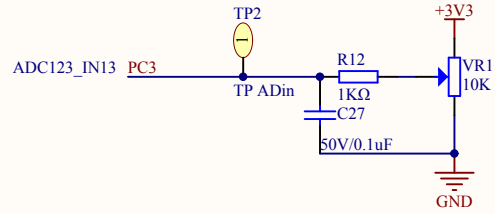
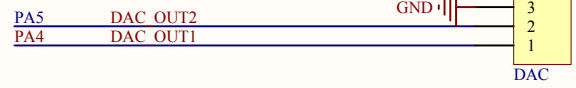


ADC



DAC

PA5 is an AFIO, please refer to SPI Schematic for right config



Company Name: GigaDevice

File Name: AD_DA

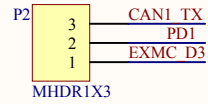
Revision: 1.0

Data: 2013-8-20

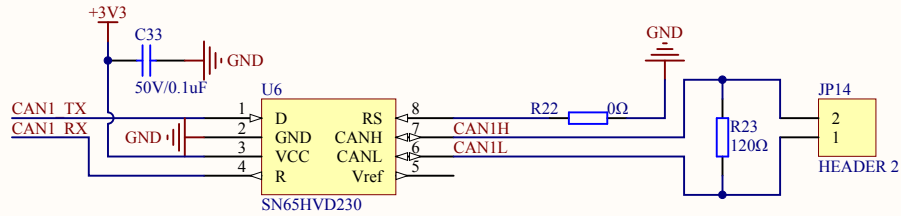
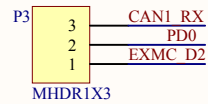
Author: XuFei

CAN

Short P2(1,2) for EXMC function
Short P2(2,3) for CAN1 function

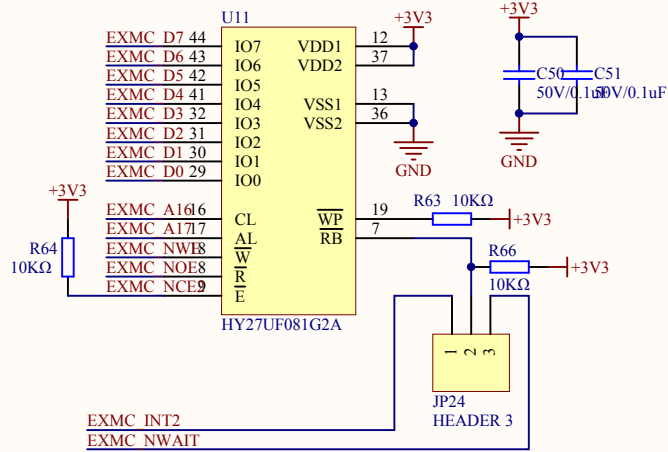


Short P3(1,2) for EXMC function
Short P3(2,3) for CAN1 function

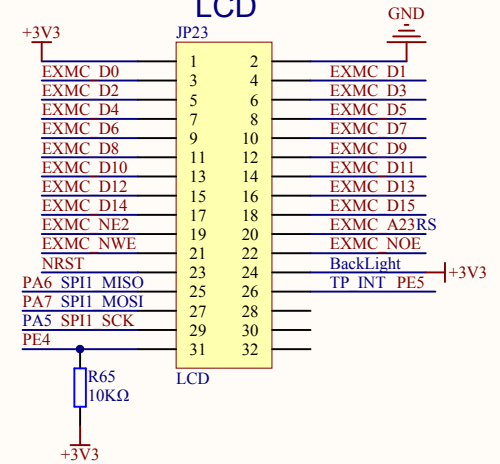


Company Name: GigaDevice		
File Name: CAN		
Revision: 1.0	Data: 2013-7-24	Author: XuFei

Nand Flash



LCD



PD0,PD1 are AFIOs, please refer to CAN schematic for right config

PD14	EXMC D0	PD11	EXMC A16
PD15	EXMC D1	PD12	EXMC A17
PD0	EXMC D2	PE2	EXMC A23
PD1	EXMC D3	PD4	EXMC NOE
PE7	EXMC D4	PD5	EXMC NWE
PE8	EXMC D5	PD6	EXMC NWAIT
PE9	EXMC D6	PD7	EXMC NCE2
PE10	EXMC D7	PG6	EXMC INT2
PE11	EXMC D8	PG9	EXMC NE2
PE12	EXMC D9		
PE13	EXMC D10		
PE14	EXMC D11		
PE15	EXMC D12		
PD8	EXMC D13		
PD9	EXMC D14		
PD10	EXMC D15		

Company Name: GigaDevice

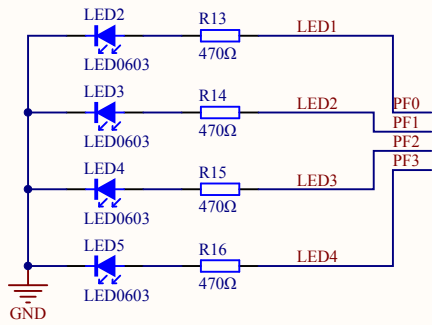
File Name: EXMC

Revision: 1.0

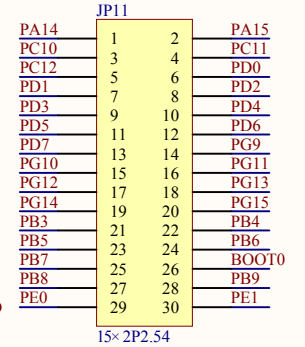
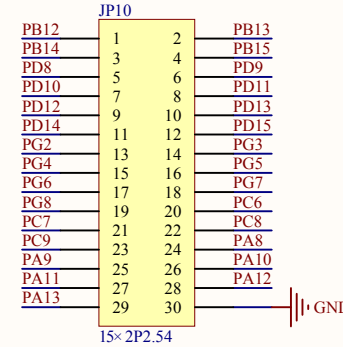
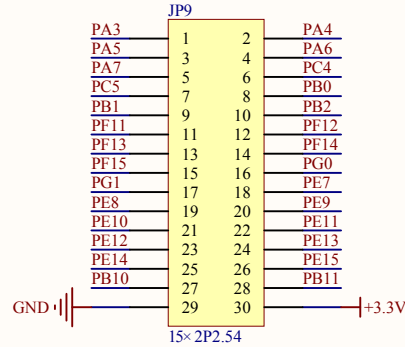
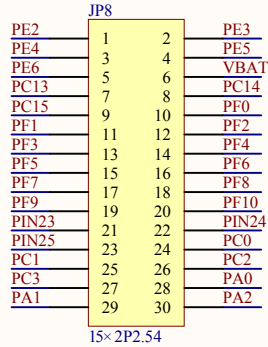
Data: 2013-8-20

Author: XuFei

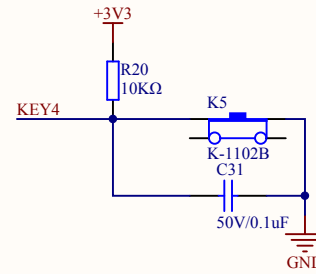
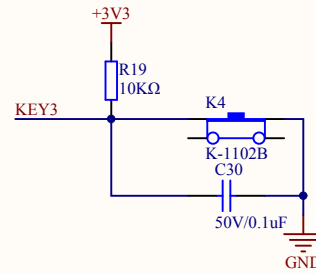
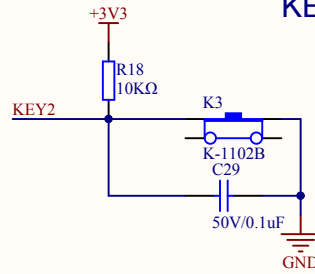
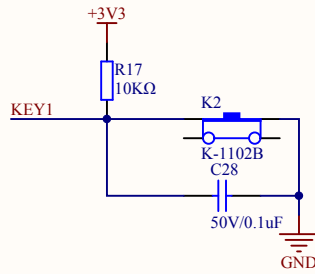
LED



Extension Pin



KEY



PA0 KEY1
 PC13 KEY2
 PF5 KEY3
 PF4 KEY4

Company Name: GigaDevice

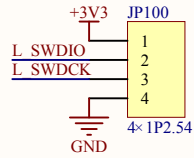
File Name: Extension

Revision: 1.0

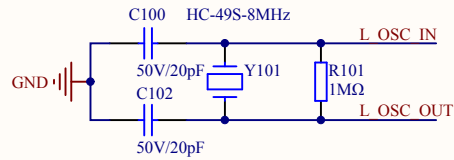
Data: 2013-8-20

Author: XuFei

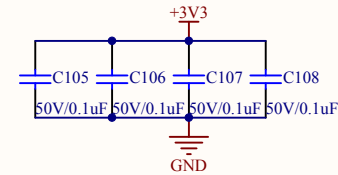
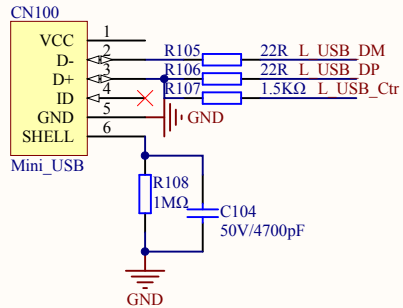
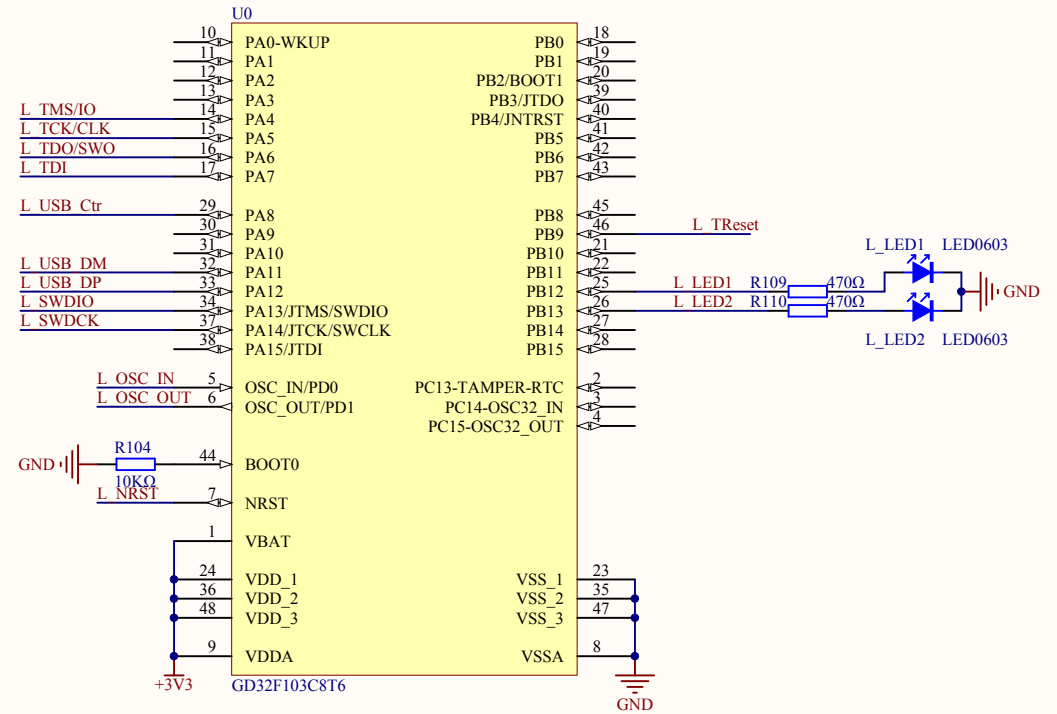
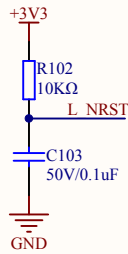
MCU SWD



HSE



Reset



Company Name: GigaDevice

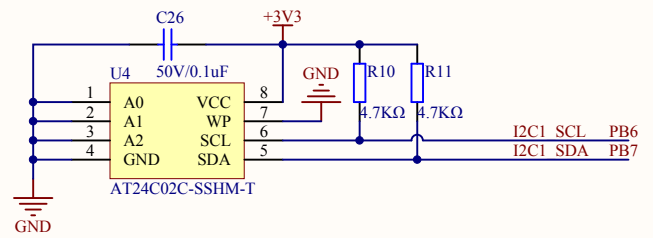
File Name: GDLink

Revision: 1.0

Data: 2015-01-09

Author: XuFei

I2C



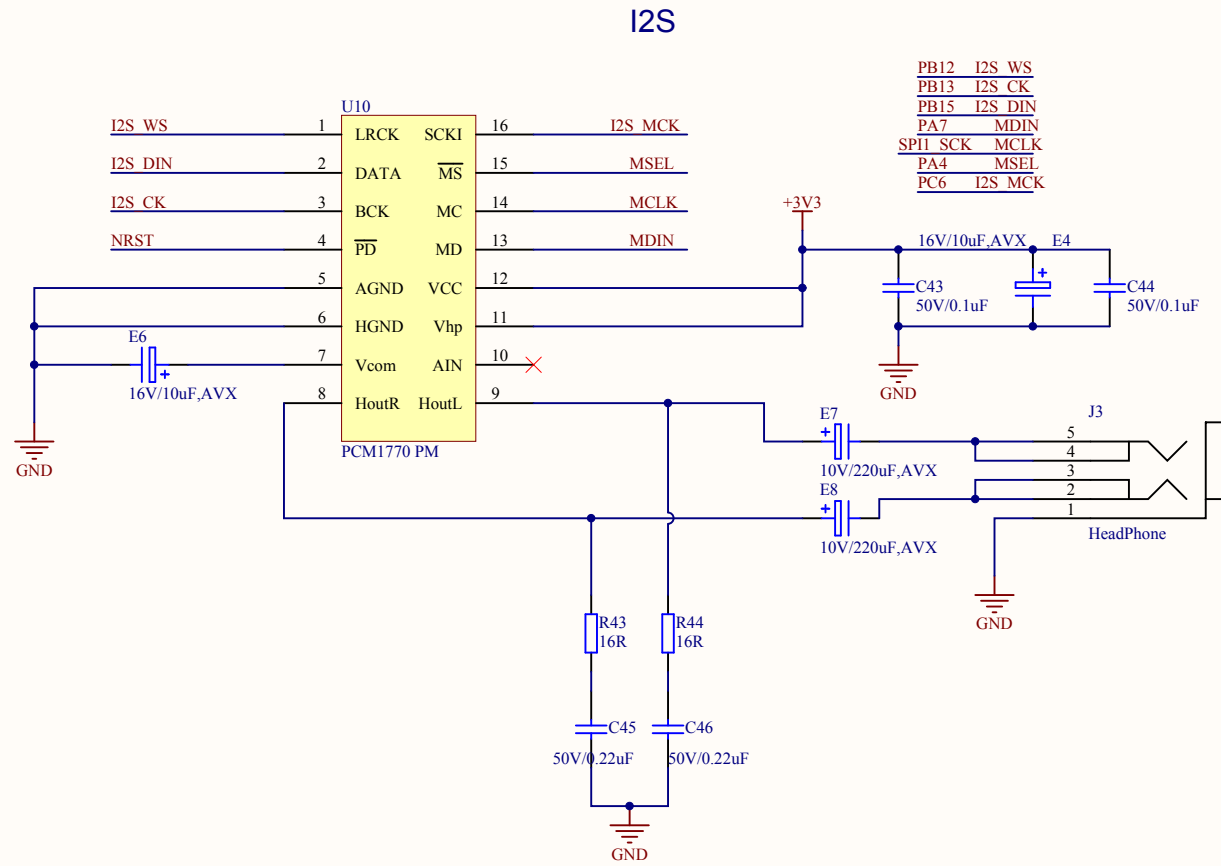
Company Name: GigaDevice

File Name: I2C_SMbus

Revision: 1.0

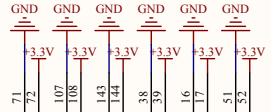
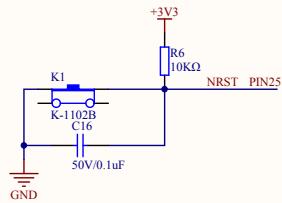
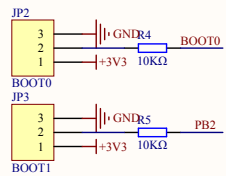
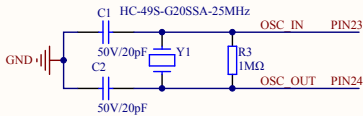
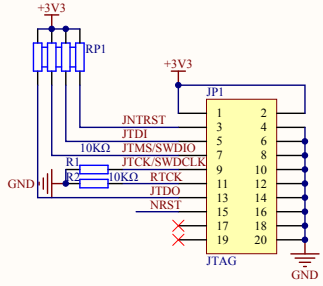
Data: 2013-8-20

Author: XuFei



Company Name: GigaDevice		
File Name: I2S		
Revision: 1.1	Data: 2015-08	Author: Xufei

GDLink	JTAG	PB4
L_TDI	JTDI	PA15
L_TMS/IO	JTMS/SWDIO	PA13
L_TCK/CLK	JTCK/SWDCLK	PA14
L_TDO/SWO	JTDO	PB3
L_TReset	NRST	



PA0	34	PA0 WKUP/USART2_CTS
PA1	35	PA1/USART2_RTS/ADC123_IN1/TIM5_CH2/TIM2_CH2
PA2	36	PA2/USART2_TX/ADC123_IN2/TIM5_CH3/TIM2_CH3
PA3	37	PA3 /USART2_RX/ADC123_IN3/TIM5_CH4/TIM2_CH4
PA4	40	PA4/USART2_CK/ADC12_IN4 /DAC_OUT1 /SPI1_NSS
PA5	41	PA5/DAC_OUT2/ADC12_IN5/SPI1_SCK
PA6	42	PA6/SPI1_MISO/TIM8_BKIN/ADC12_IN6/TIM3_CH1
PA7	43	PA7 /SPI1_MOSI/TIM8_CH1N/ADC12_IN7/TIM3_CH2
PA8	100	PA8/USART1_CK/TIM1_CH1/MCO
PA9	101	PA9/USART1_TX/TIM1_CH2
PA10	102	PA10/USART1_RX/TIM1_CH3
PA11	103	PA11/USART1_CTS/CANRX/TIM1_CH4(6)/USBDM
PA12	104	PA12/USART1_RTS/USBDP/ CANTX/TIM1_ETR
PA13	105	PA13 /TMS-SWDIO
PA14	109	PA14/TCK-SWCLK
PA15	110	PA15/SPI3_NSS/I2S3_WS/JTDI

PB0	46
PB1	47
PB2	48
PB3	133
PB4	134
PB5	135
PB6	136
PB7	137
PB8	139
PB9	140
PB10	69
PB11	70
PB12	73
PB13	74
PB14	75
PB15	76

PC0	26
PC1	27
PC2	28
PC3	29
PC4	44
PC5	45
PC6	96
PC7	97
PC8	98
PC9	99
PC10	111
PC11	112
PC12	113
PC13	7
PC14	8
PC15	9

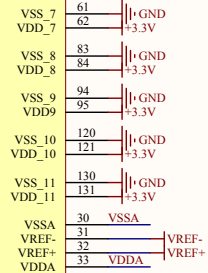
PD0	114
PD1	115
PD2	116
PD3	117
PD4	118
PD5	119
PD6	122
PD7	123
PD8	77
PD9	78
PD10	79
PD11	80
PD12	81
PD13	82
PD14	85
PD15	86

PIN23	23	OSC_IN
PIN24	24	OSC_OUT
PIN25	25	NSS1
NC	106	NC
BOOT0	138	BOOT0
VBAT	6	VBAT

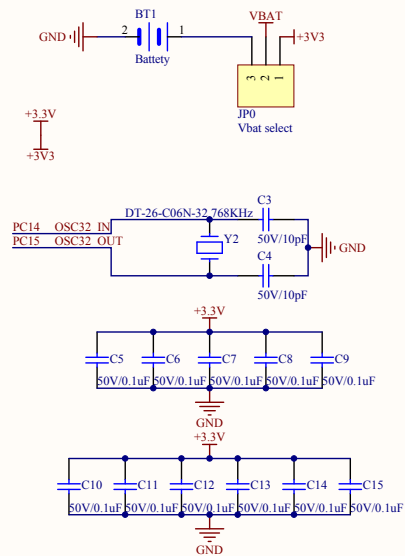
U1	56	PG0
PG1	57	PG1
PG2	87	PG2
PG3	88	PG3
PG4	89	PG4
PG5	90	PG5
PG6	91	PG6
PG7	92	PG7
PG8	93	PG8
PG9	124	PG9
PG10	125	PG10
PG11	126	PG11
PG12	127	PG12
PG13	128	PG13
PG14	129	PG14
PG15	132	PG15

PF0	10	PF0
PF1	11	PF1
PF2	12	PF2
PF3	13	PF3
PF4	14	PF4
PF5	15	PF5
PF6	18	PF6
PF7	19	PF7
PF8	20	PF8
PF9	21	PF9
PF10	22	PF10
PF11	49	PF11
PF12	50	PF12
PF13	53	PF13
PF14	54	PF14
PF15	55	PF15

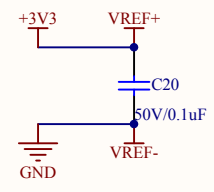
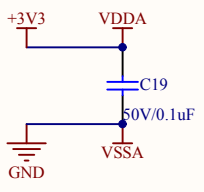
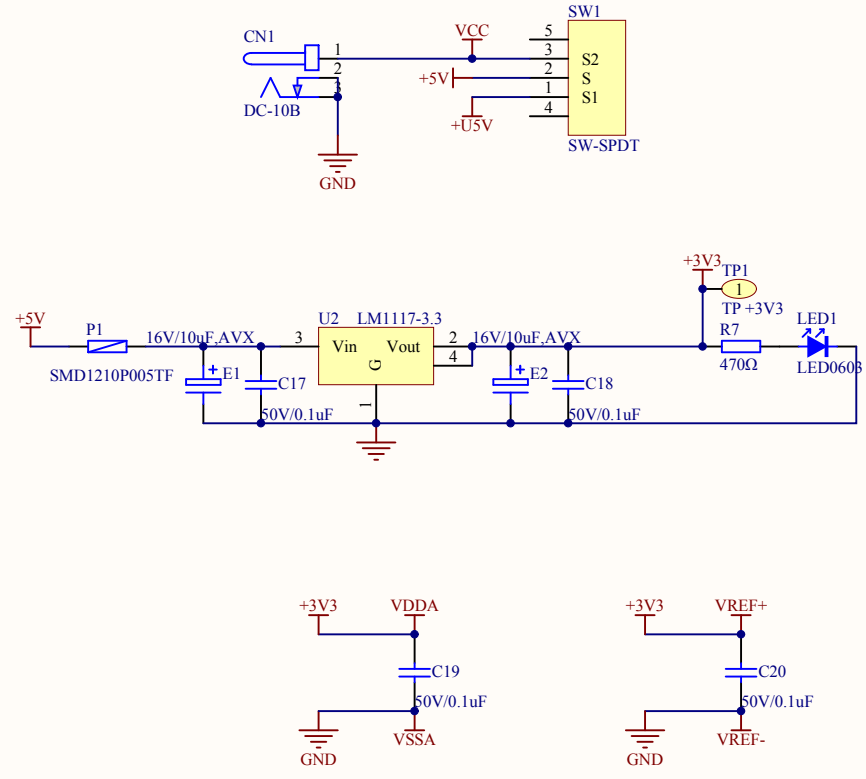
PE0	141	PE0
PE1	142	PE1
PE2	1	PE2
PE3	2	PE3
PE4	3	PE4
PE5	4	PE5
PE6	5	PE6
PE7	58	PE7
PE8	59	PE8
PE9	60	PE9
PE10	63	PE10
PE11	64	PE11
PE12	65	PE12
PE13	66	PE13
PE14	67	PE14
PE15	68	PE15



GD32F103ZE16



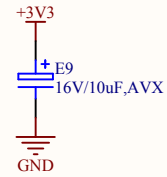
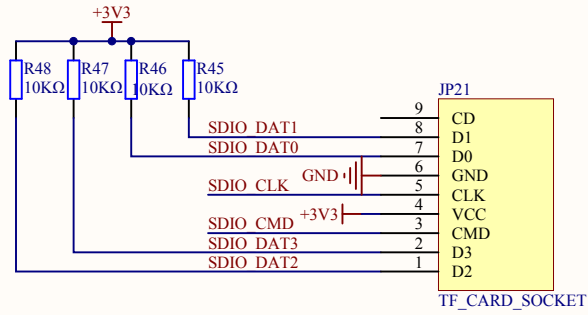
Company Name: GigaDevice	
File Name: MCU	
Revision: 1.1	Author: XuFei
Date: 2015-08	



Company Name: GigaDevice		
File Name: Power		
Revision: 1.0	Data: 2013-8-20	Author: XuFei

SDIO

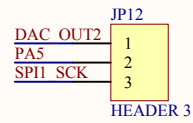
PD2 SDIO CMD
 PC12 SDIO CLK
 PC8 SDIO DAT0
 PC9 SDIO DAT1
 PC10 SDIO DAT2
 PC11 SDIO DAT3



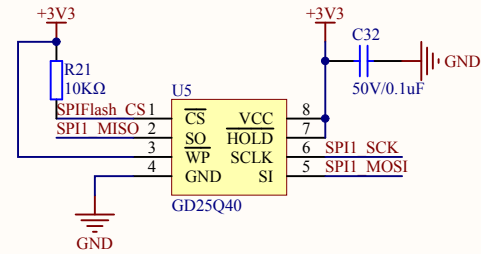
Company Name: GigaDevice		
File Name: SDIO		
Revision: 1.1	Data: 2015-08	Author: Xufei

SPI Flash

Short JP12(1,2) for DAC function
Short JP12(2,3) for SPI1 function

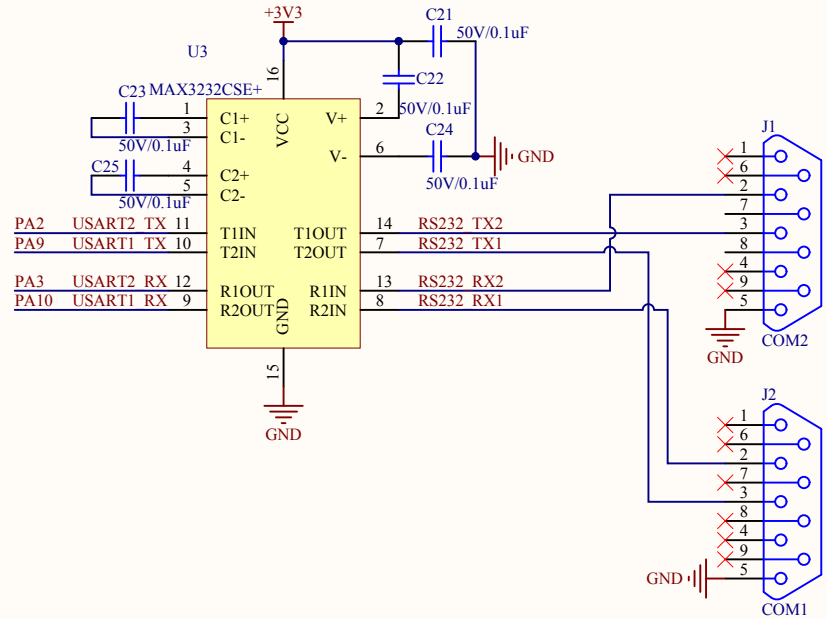


PA7	SPI1	MOSI
PA6	SPI1	MISO
PE3	SPIFlash	CS



Company Name: GigaDevice		
File Name: SPI		
Revision: 1.0	Data: 2013-8-20	Author: XuFei

USART1/USART2



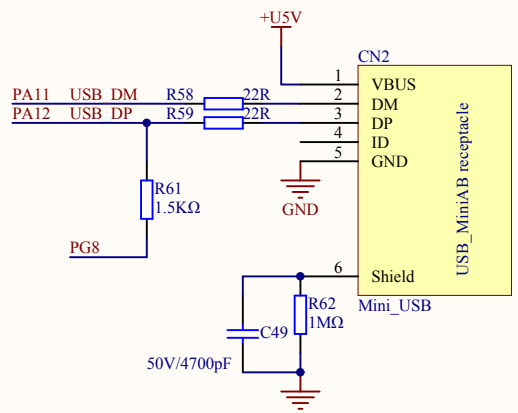
Company Name: GigaDevice

File Name: USART

Revision: 1.0

Data: 2013-8-20

Author: XuFei



Company Name: GigaDevice

File Name: USB

Revision: 1.1

Data: 2013.9.10

Author: Xufei

