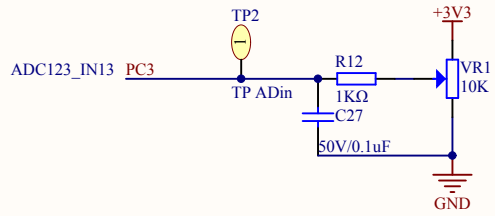
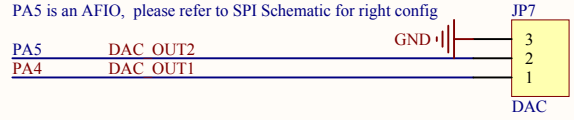


### ADC



### DAC



**Company Name: GigaDevice**

**File Name: AD\_DA**

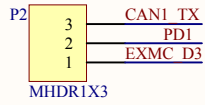
Revision: 1.0

Data: 2013-8-20

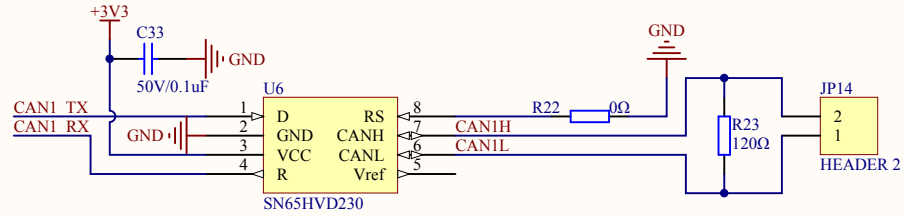
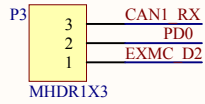
Author: XuFei

# CAN

Short P2(1,2) for EXMC function  
Short P2(2,3) for CAN1 function

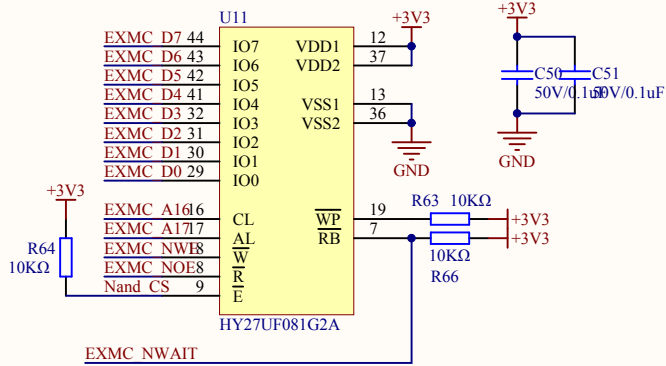


Short P3(1,2) for EXMC function  
Short P3(2,3) for CAN1 function

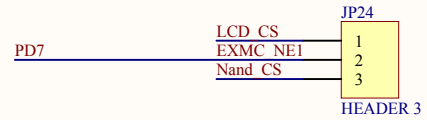
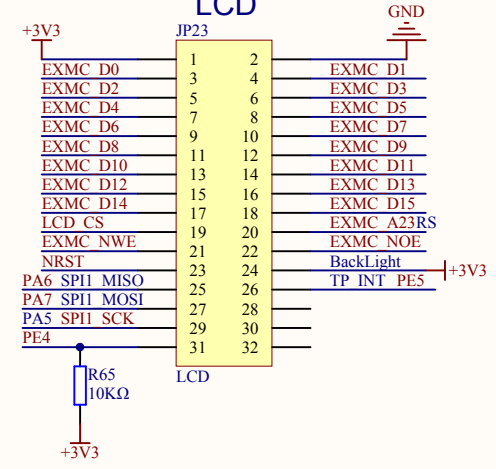


|                                 |                 |               |
|---------------------------------|-----------------|---------------|
| <b>Company Name: GigaDevice</b> |                 |               |
| <b>File Name: CAN</b>           |                 |               |
| Revision: 1.0                   | Data: 2013-7-24 | Author: XuFei |

### Nand Flash



### LCD

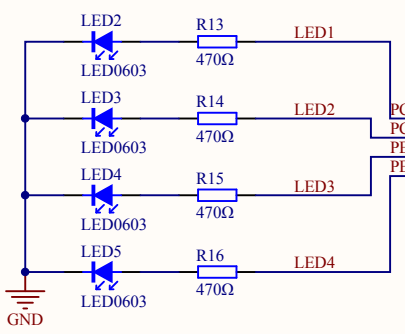


PD0,PD1 are AFIOs, please refer to CAN schematic for right config

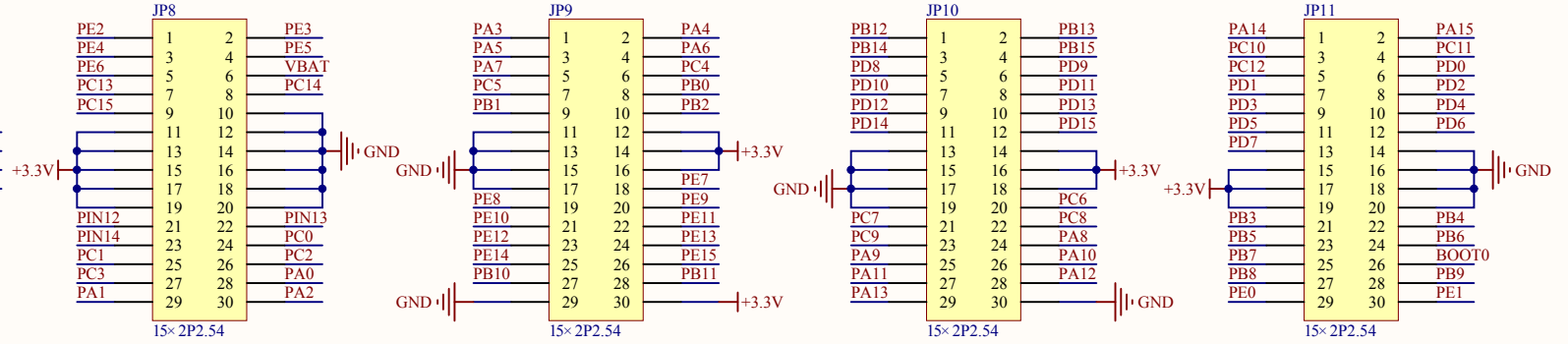
|      |          |      |            |
|------|----------|------|------------|
| PD14 | EXMC D0  | PD11 | EXMC A16   |
| PD15 | EXMC D1  | PD12 | EXMC A17   |
| PD0  | EXMC D2  | PE2  | EXMC A23   |
| PD1  | EXMC D3  | PD4  | EXMC NOE   |
| PE7  | EXMC D4  | PD5  | EXMC NWE   |
| PE8  | EXMC D5  | PD6  | EXMC NWAIT |
| PE9  | EXMC D6  |      |            |
| PE10 | EXMC D7  |      |            |
| PE11 | EXMC D8  |      |            |
| PE12 | EXMC D9  |      |            |
| PE13 | EXMC D10 |      |            |
| PE14 | EXMC D11 |      |            |
| PE15 | EXMC D12 |      |            |
| PD8  | EXMC D13 |      |            |
| PD9  | EXMC D14 |      |            |
| PD10 | EXMC D15 |      |            |

|                                 |                 |               |
|---------------------------------|-----------------|---------------|
| <b>Company Name: GigaDevice</b> |                 |               |
| <b>File Name: EXMC</b>          |                 |               |
| Revision: 1.0                   | Data: 2013-8-20 | Author: XuFei |

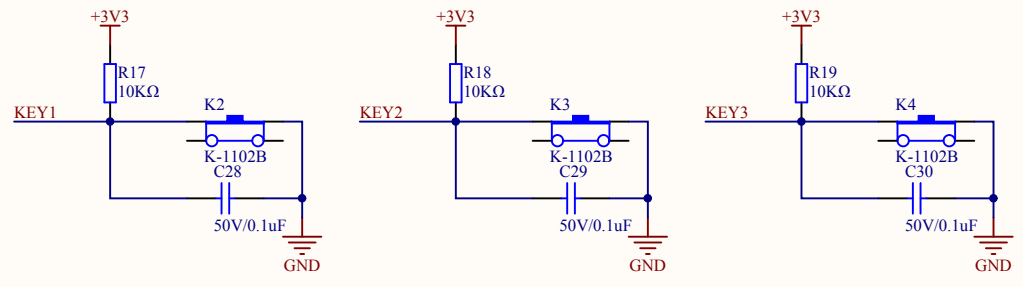
### LED



### Extension Pin



### KEY



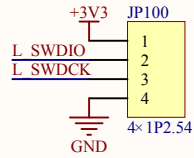
- PA0 KEY1
- PC13 KEY2
- PB14 KEY3

**Company Name: GigaDevice**

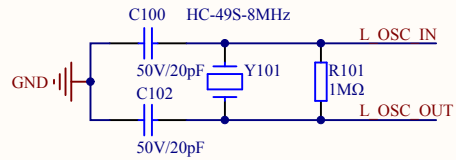
**File Name: Extension**

Revision: 1.0      Data: 2013-8-20      Author: XuFei

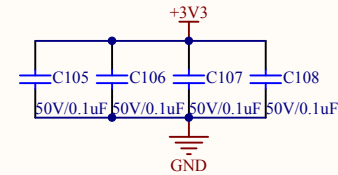
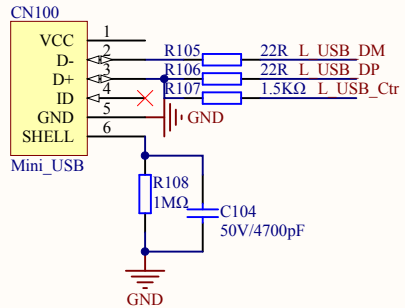
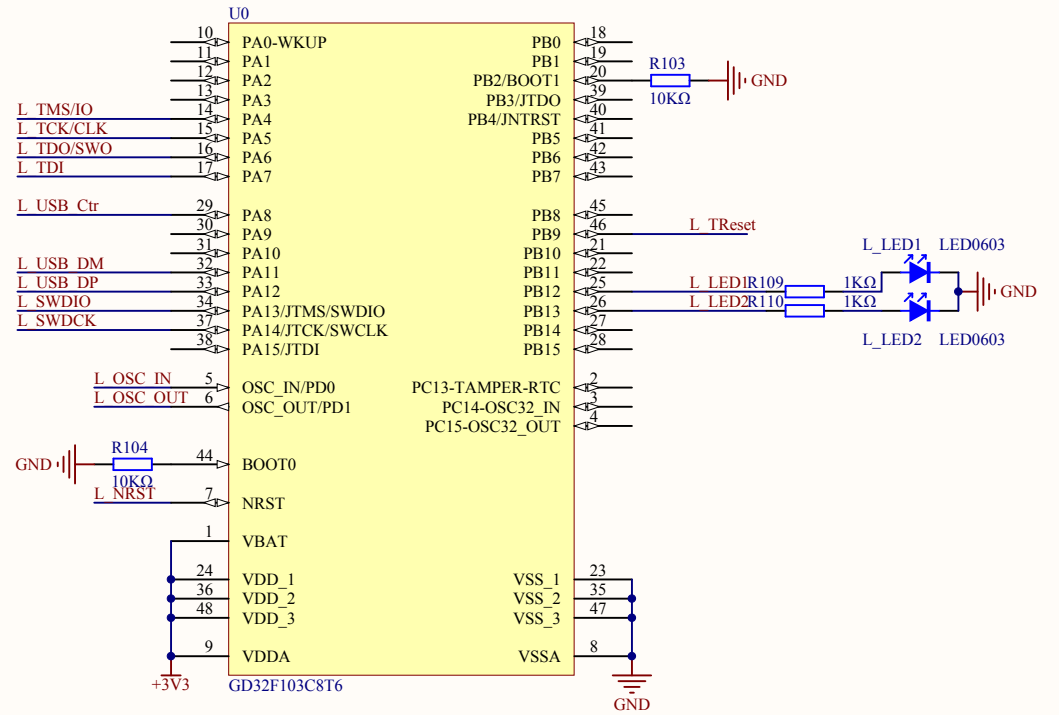
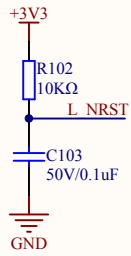
### MCU SWD



### HSE



### Reset



Company Name: GigaDevice

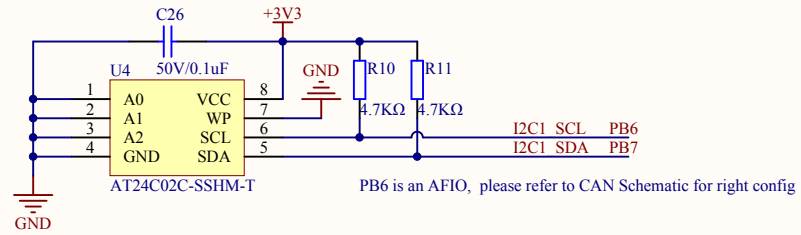
File Name: GDLink

Revision: 1.0

Data: 2015-01-09

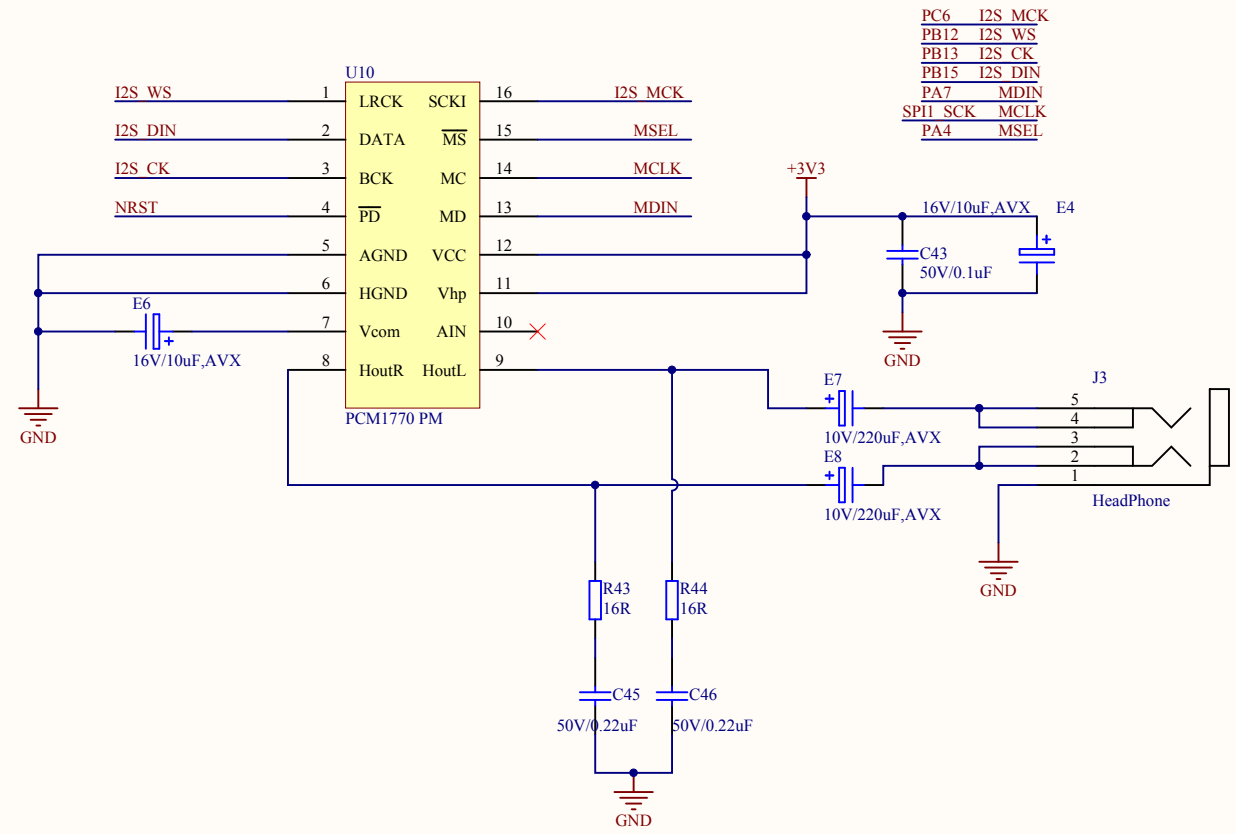
Author: XuFei

# I2C



|                                 |                 |               |
|---------------------------------|-----------------|---------------|
| <b>Company Name: GigaDevice</b> |                 |               |
| <b>File Name: I2C_SMbus</b>     |                 |               |
| Revision: 1.0                   | Data: 2013-8-20 | Author: XuFei |

# I2S



- PC6 I2S MCK
- PB12 I2S WS
- PB13 I2S CK
- PB15 I2S DIN
- PA7 MDIN
- SPI1 SCK MCLK
- PA4 MSEL

**Company Name: GigaDevice**

**File Name: I2S**

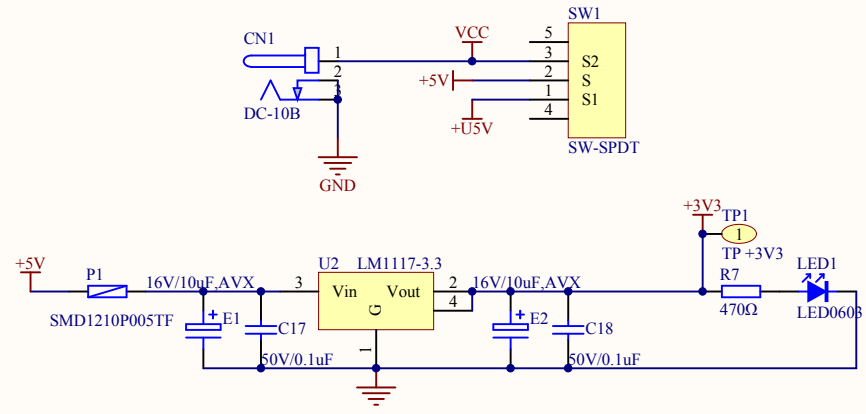
Revision: 1.1

Data: 2015-2

Author: Xufei



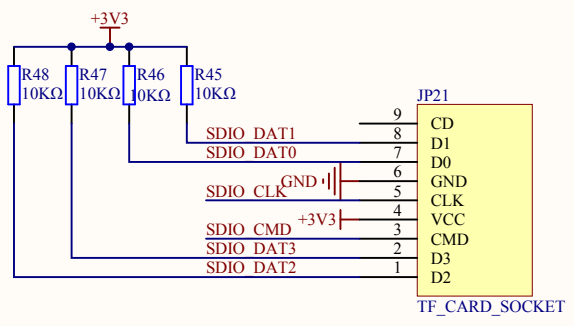




|                                 |                 |               |
|---------------------------------|-----------------|---------------|
| <b>Company Name: GigaDevice</b> |                 |               |
| <b>File Name: Power</b>         |                 |               |
| Revision: 1.0                   | Data: 2013-8-20 | Author: XuFei |

### SDIO

|      |           |
|------|-----------|
| PC11 | SDIO_DAT3 |
| PD2  | SDIO_CMD  |
| PC12 | SDIO_CLK  |
| PC8  | SDIO_DAT0 |
| PC9  | SDIO_DAT1 |
| PC10 | SDIO_DAT2 |



**Company Name: GigaDevice**

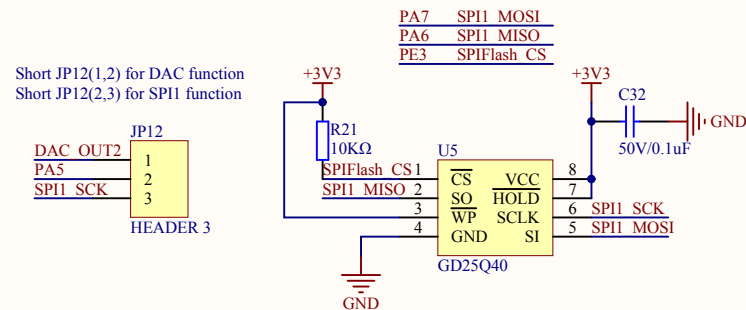
**File Name: SDIO**

Revision: 1.1

Data: 2015-2

Author: Xufei

### SPI Flash



**Company Name: GigaDevice**

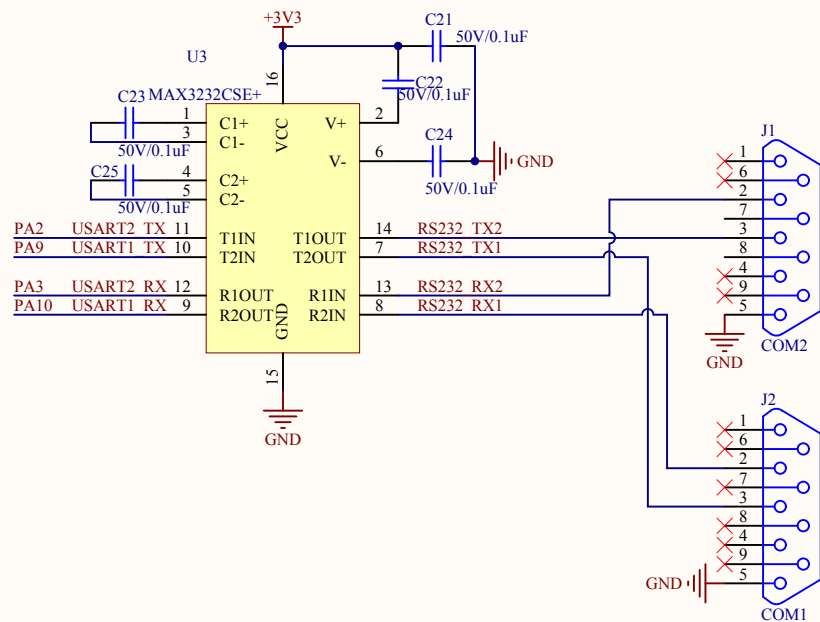
**File Name: SPI**

Revision: 1.0

Data: 2013-8-20

Author: XuFei

## USART1/USART2



|                                 |                 |               |
|---------------------------------|-----------------|---------------|
| <b>Company Name: GigaDevice</b> |                 |               |
| <b>File Name: USART</b>         |                 |               |
| Revision: 1.0                   | Data: 2013-8-20 | Author: XuFei |

1

2

3

4

A

A

B

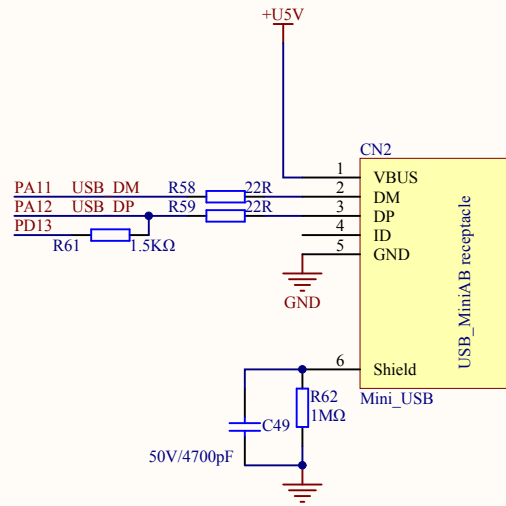
B

C

C

D

D



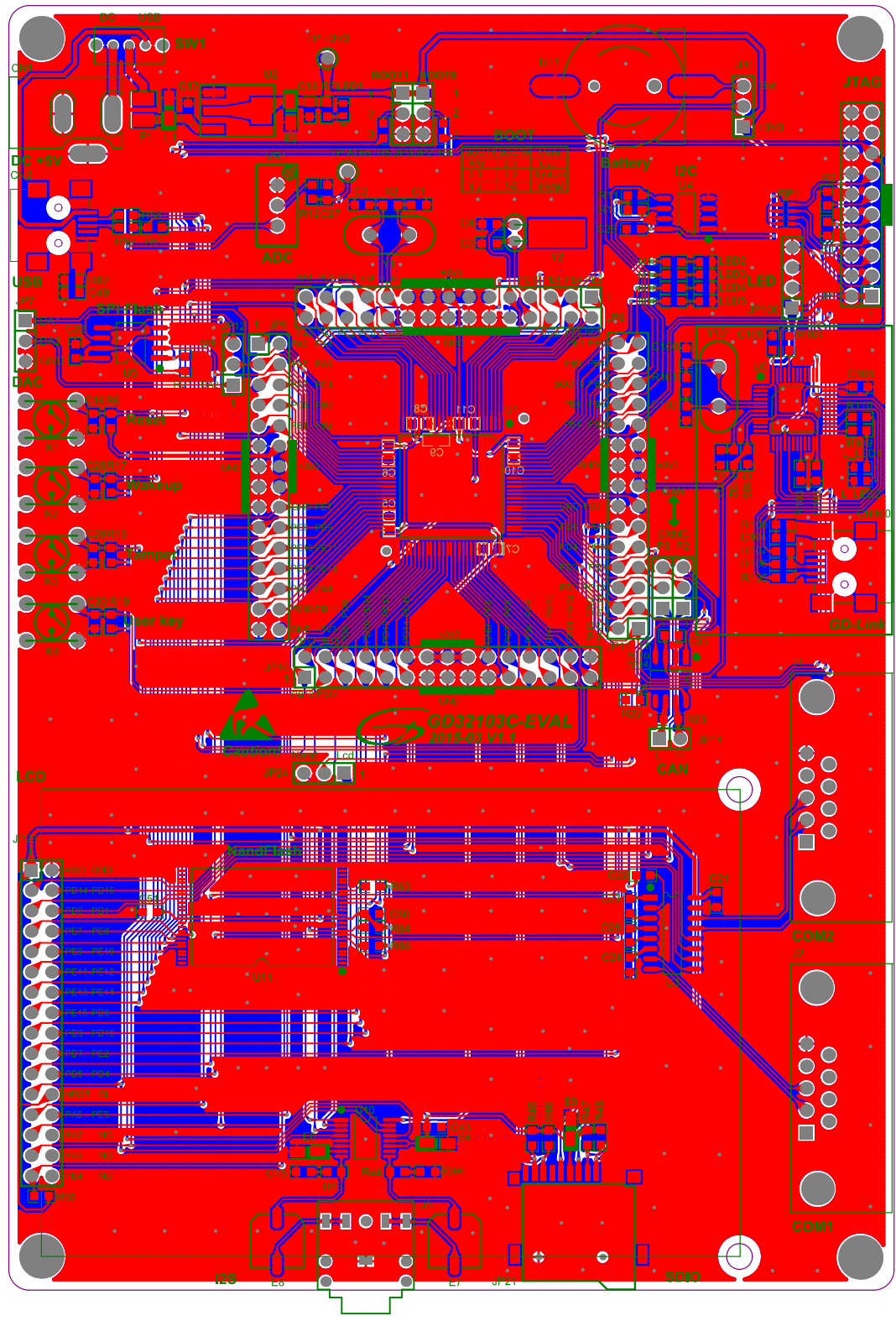
|                                 |                 |               |
|---------------------------------|-----------------|---------------|
| <b>Company Name: GigaDevice</b> |                 |               |
| <b>File Name: USB_OTG</b>       |                 |               |
| Revision: 1.1                   | Data: 2013.9.10 | Author: Xufei |

1

2

3

4



| Symbol | Value | Unit   | Used |
|--------|-------|--------|------|
| Any    | 2-3   | System |      |
| L27    | 4-2   | SRAM   |      |

GD32103C-EVAL  
2015-03 V1.1