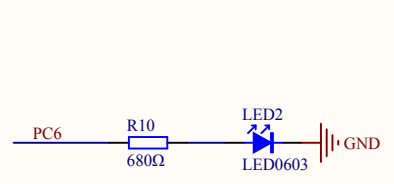
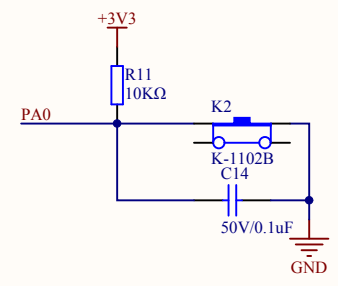


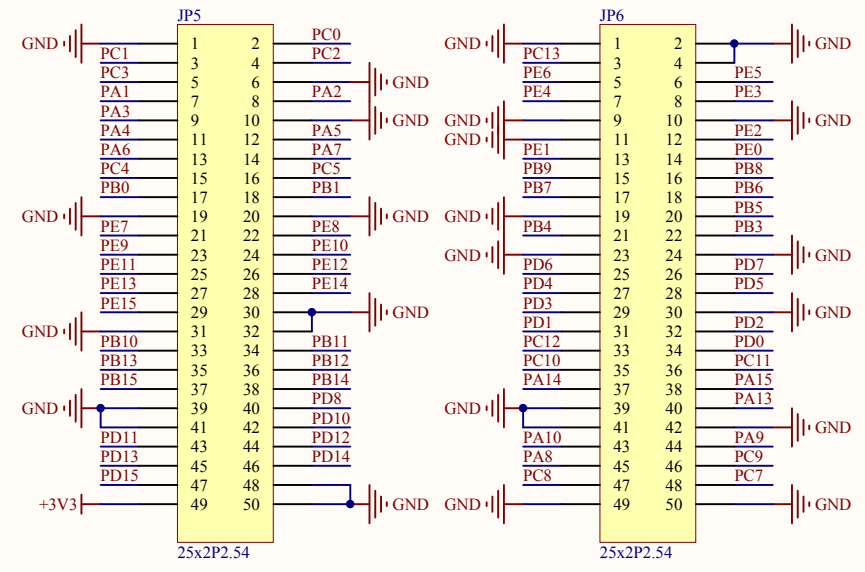
### LED



### KEY



### Extension Pin



**Company Name: GigaDevice**

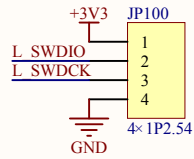
**File Name: Extension**

Revision: 1.0

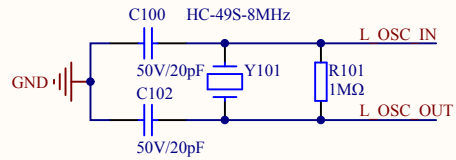
Data: 2013-1-5

Author: XuFei

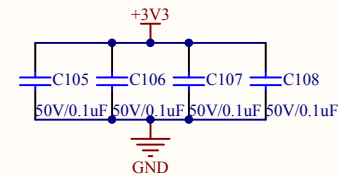
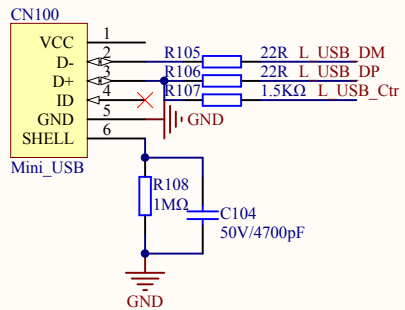
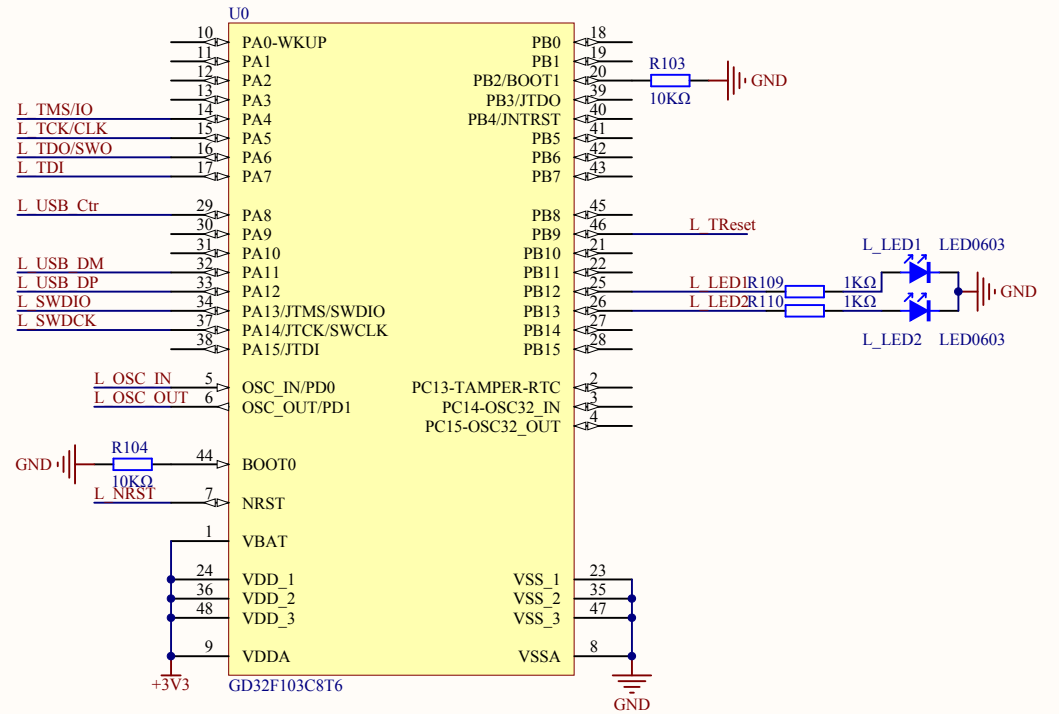
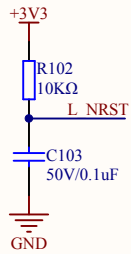
### MCU SWD



### HSE



### Reset



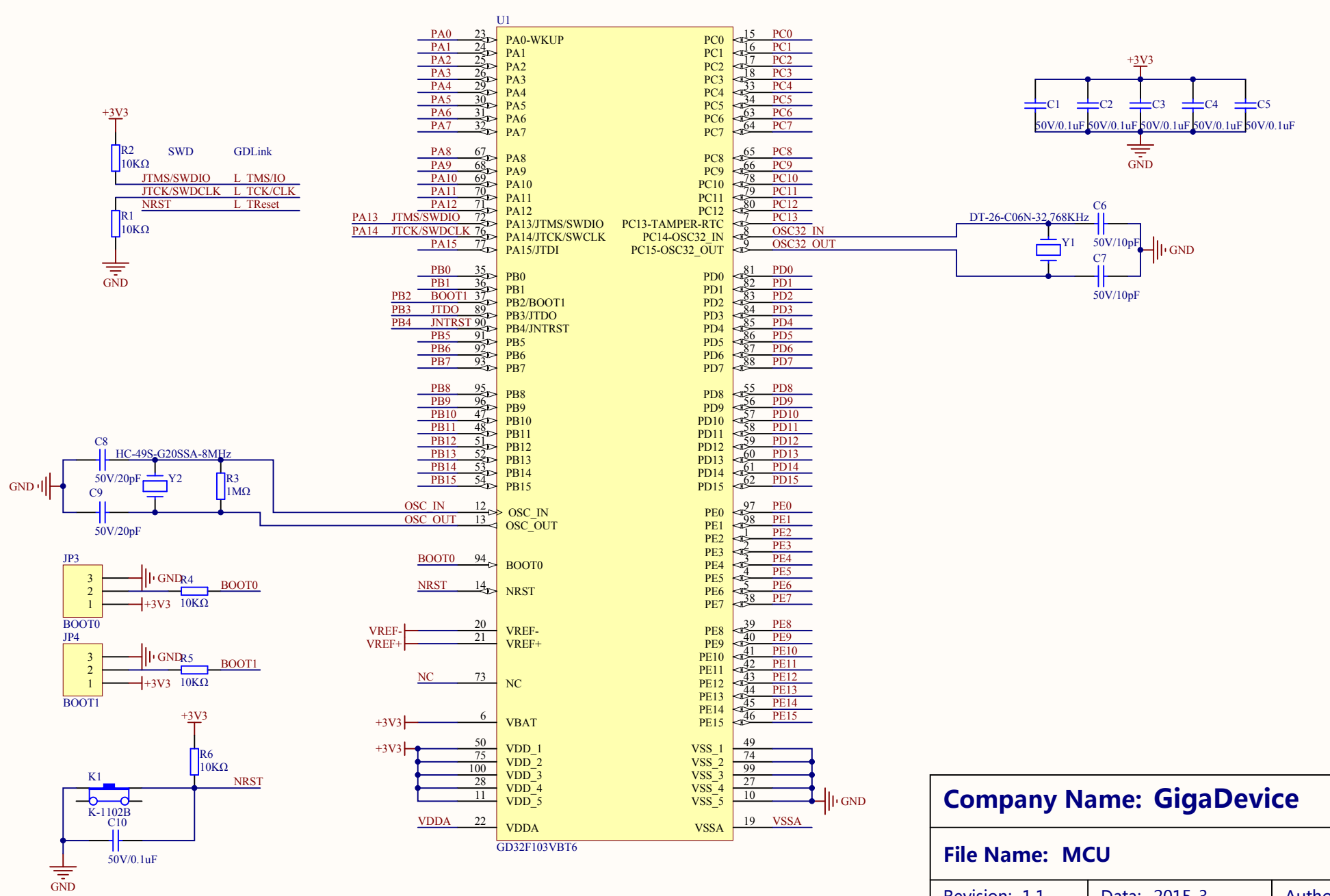
Company Name: GigaDevice

File Name: GDLink

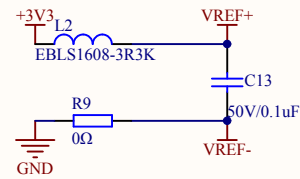
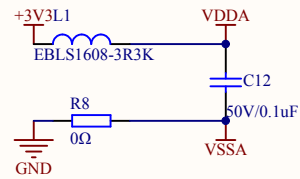
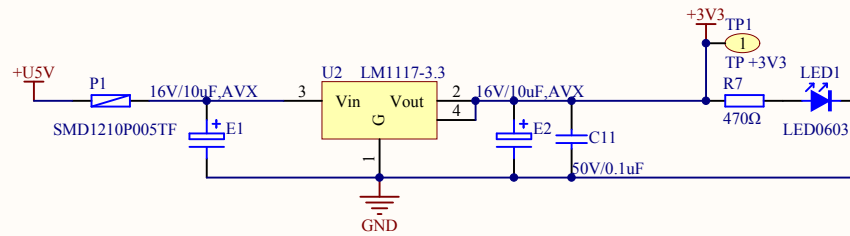
Revision: 1.0

Data: 2015-01-09

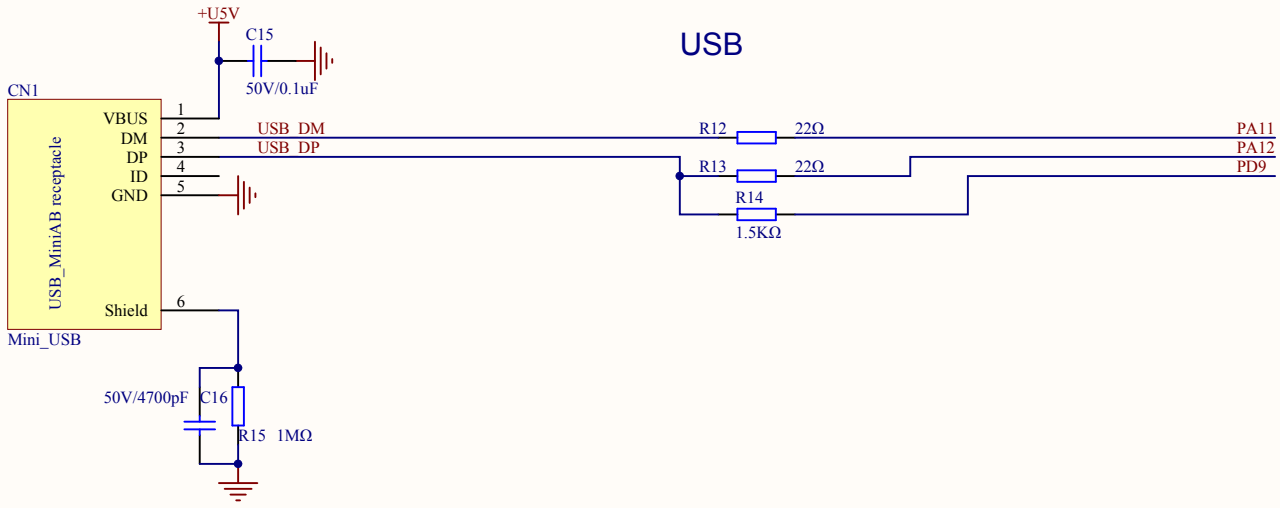
Author: XuFei



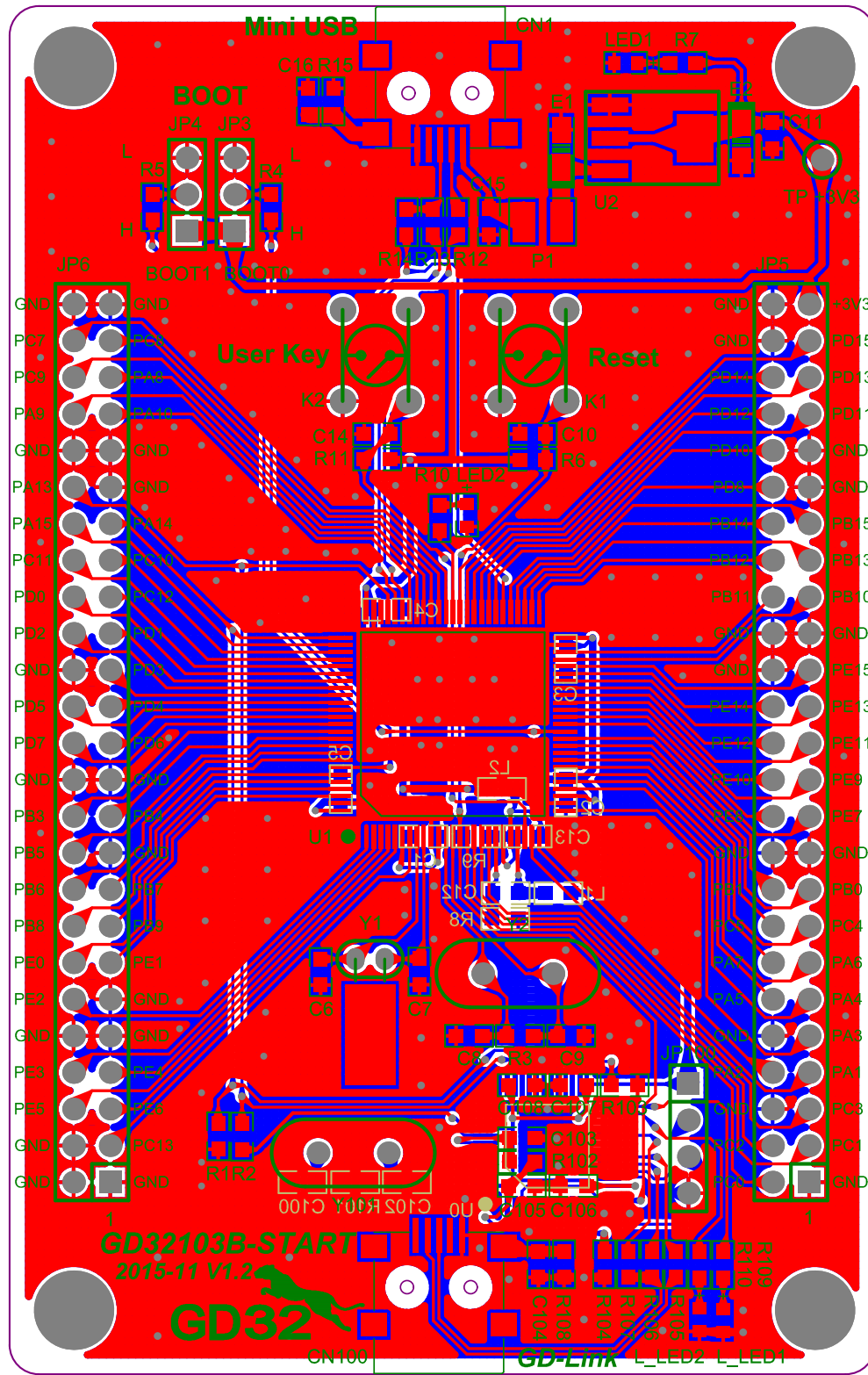
<b>Company Name: GigaDevice</b>		
<b>File Name: MCU</b>		
Revision: 1.1	Data: 2015-3	Author: XuFei



<b>Company Name: GigaDevice</b>		
<b>File Name: Power</b>		
Revision: 1.0	Data: 2013-1-4	Author: XuFei



<b>Company Name: GigaDevice</b>		
<b>File Name: USB_CAN</b>		
Revision: 1.0	Data: 2013-1-4	Author: XuFei



**GD32103B-START**  
2015-11 V1.2



**GD-Link** L\_LED2 L\_LED1