

Schottky Diode Gen <sup>2</sup>

preliminary

$$V_{RRM} = 30V$$

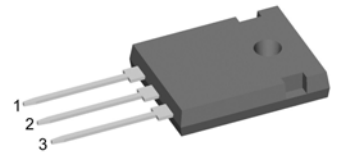
$$I_{FAV} = 2x \ 30A$$

$$V_F = 0.47V$$

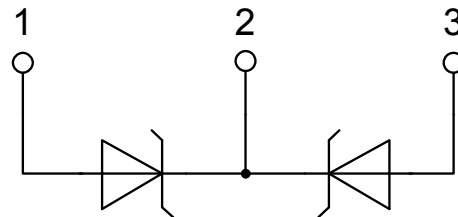
High Performance Schottky Diode  
Low Loss and Soft Recovery  
Common Cathode

Part number

DSB60C30HB



Backside: cathode

**Features / Advantages:**

- Very low  $V_f$
- Extremely low switching losses
- Low  $I_{rm}$  values
- Improved thermal behaviour
- High reliability circuit operation
- Low voltage peaks for reduced protection circuits
- Low noise switching

**Applications:**

- Rectifiers in switch mode power supplies (SMPS)
- Free wheeling diode in low voltage converters

**Package:** TO-247

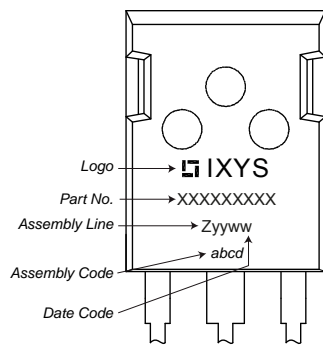
- Industry standard outline
- RoHS compliant
- Epoxy meets UL 94V-0

Schottky				Ratings			
Symbol	Definition	Conditions		min.	typ.	max.	Unit
$V_{RSM}$	max. non-repetitive reverse blocking voltage					30	V
$V_{RRM}$	max. repetitive reverse blocking voltage					30	V
$I_R$	reverse current, drain current	$V_R = 30\text{ V}$	$T_{VJ} = 25^\circ\text{C}$			10	mA
		$V_R = 30\text{ V}$	$T_{VJ} = 100^\circ\text{C}$			80	mA
$V_F$	forward voltage drop	$I_F = 30\text{ A}$	$T_{VJ} = 25^\circ\text{C}$			0.53	V
		$I_F = 60\text{ A}$				0.70	V
		$I_F = 30\text{ A}$	$T_{VJ} = 125^\circ\text{C}$			0.47	V
		$I_F = 60\text{ A}$				0.70	V
$I_{FAV}$	average forward current	$T_C = 130^\circ\text{C}$	$T_{VJ} = 150^\circ\text{C}$			30	A
		rectangular	$d = 0.5$				
$V_{FO}$	threshold voltage	} for power loss calculation only				0.21	V
$r_F$	slope resistance					7.9	mΩ
$R_{thJC}$	thermal resistance junction to case					0.95	K/W
$R_{thCH}$	thermal resistance case to heatsink				0.25		K/W
$P_{tot}$	total power dissipation			$T_C = 25^\circ\text{C}$		130	W
$I_{FSM}$	max. forward surge current	$t = 10\text{ ms}; (50\text{ Hz}), \text{ sine}; V_R = 0\text{ V}$		$T_{VJ} = 45^\circ\text{C}$		570	A
$C_J$	junction capacitance	$V_R = 5\text{ V}$	$f = 1\text{ MHz}$	$T_{VJ} = 25^\circ\text{C}$		1.26	nF

preliminary

Package TO-247			Ratings			
Symbol	Definition	Conditions	min.	typ.	max.	Unit
$I_{RMS}$	RMS current	per terminal <sup>1)</sup>			50	A
$T_{VJ}$	virtual junction temperature		-55		150	°C
$T_{op}$	operation temperature		-55		125	°C
$T_{stg}$	storage temperature		-55		150	°C
<b>Weight</b>				6		g
$M_D$	mounting torque		0.8		1.2	Nm
$F_C$	mounting force with clip		20		120	N

### Product Marking



### Part number

- D = Diode
- S = Schottky Diode
- B = ultra low VF
- 60 = Current Rating [A]
- C = Common Cathode
- 30 = Reverse Voltage [V]
- HB = TO-247AD (3)

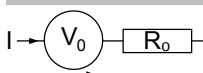
Ordering	Part Number	Marking on Product	Delivery Mode	Quantity	Code No.
Standard	DSB60C30HB	DSB60C30HB	Tube	30	507150

Similar Part	Package	Voltage class
DSB60C30PB	TO-220AB (3)	30

### Equivalent Circuits for Simulation

\* on die level

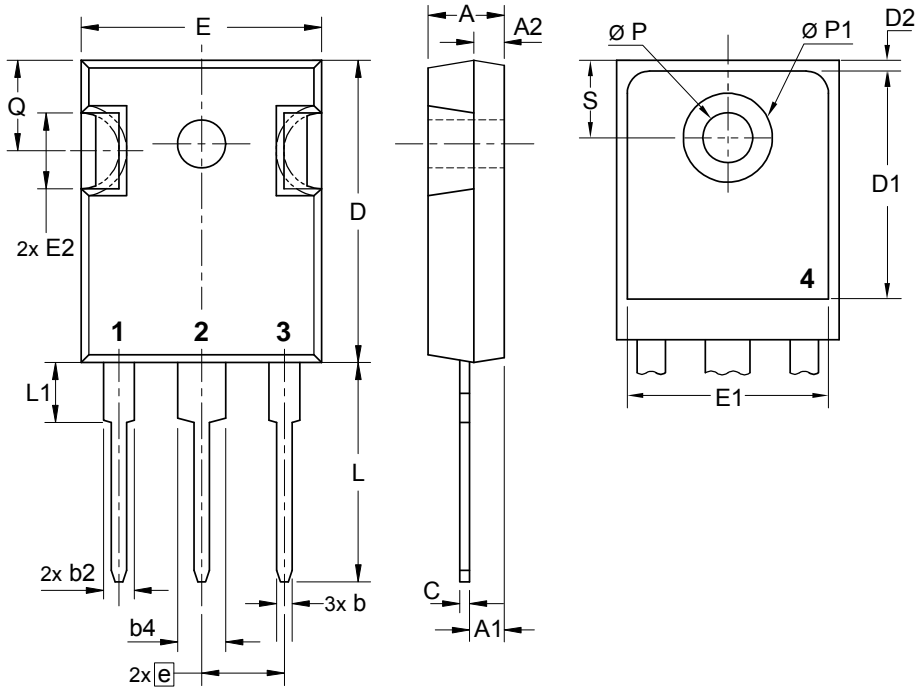
$T_{VJ} = 150\text{ }^{\circ}\text{C}$



Schottky

$V_{0\text{ max}}$	threshold voltage	0.21	V
$R_{0\text{ max}}$	slope resistance *	5.4	mΩ

## Outlines TO-247



Sym.	Inches		Millimeter	
	min.	max.	min.	max.
A	0.185	0.209	4.70	5.30
A1	0.087	0.102	2.21	2.59
A2	0.059	0.098	1.50	2.49
D	0.819	0.845	20.79	21.45
E	0.610	0.640	15.48	16.24
E2	0.170	0.216	4.31	5.48
e	0.215 BSC		5.46 BSC	
L	0.780	0.800	19.80	20.30
L1	-	0.177	-	4.49
Ø P	0.140	0.144	3.55	3.65
Q	0.212	0.244	5.38	6.19
S	0.242 BSC		6.14 BSC	
b	0.039	0.055	0.99	1.40
b2	0.065	0.094	1.65	2.39
b4	0.102	0.135	2.59	3.43
c	0.015	0.035	0.38	0.89
D1	0.515	-	13.07	-
D2	0.020	0.053	0.51	1.35
E1	0.530	-	13.45	-
Ø P1	-	0.29	-	7.39

