

Kit Resistors



Chip Type Kit Resistors



Coated Type Kit Resistors

Ordering Procedure: Ex: 0603, 1/16W, +/-1%, E6 series, Chip Kit Resistors

**0 6 0 3 W G F E 0 0 6 K I T**

Resistor Size:

- Chip type:  
0402, 0603, 0805, 1206, 2512
- Coated type:  
Carbon Film Fixed Resistors  
(see page 23 for boxes no.1<sup>st</sup> - 7<sup>th</sup>)  
Metal Film Fixed Resistors  
(see page 26 for boxes no.1<sup>st</sup> - 7<sup>th</sup>)

Wattage:

- Normal:  
WG = 1/16W  
WA = 1/10W  
W8 = 1/8W  
W4 = 1/4W  
W2 = 1/2W  
1W = 1W
- Small size:  
SA = 1/10WS  
S8 = 1/8WS  
S4 = 1/4WS  
S2 = 1/2WS

Resistance value:

- For Kit Resistors  
E006 = E6 Series  
E012 = E12 Series  
E024 = E24 series

Special Feature:

- KIT = Kit resistors (with resistors)
- KON = Album only (no resistors)
- KIL = Index only
- KIN = Insert only
- KIC = Insert and Album, Cover lid, (No resistors)

Tolerance:

- F = ±1%  
J = ±5%

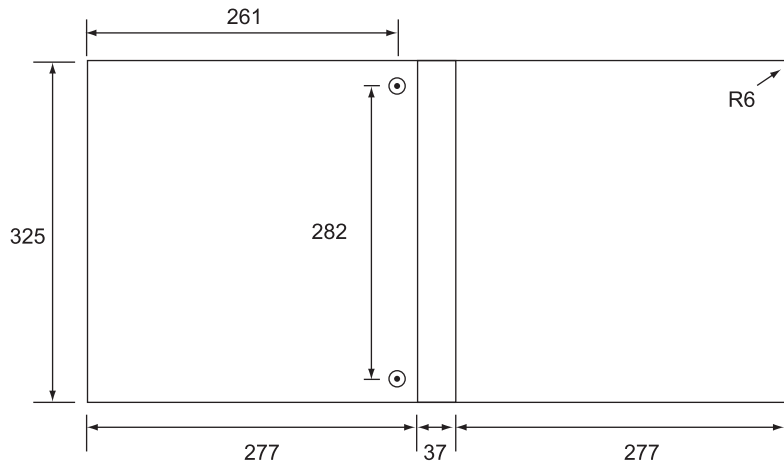
Sample:

- 1.) SMD Kit 1/16W (0603) 1% E6 Series - 0603WGFE006KIT
- 2.) Album only Kit 1/16W (0603) 1% E6 Series - 0603WGFE006KON (no chip resistors)

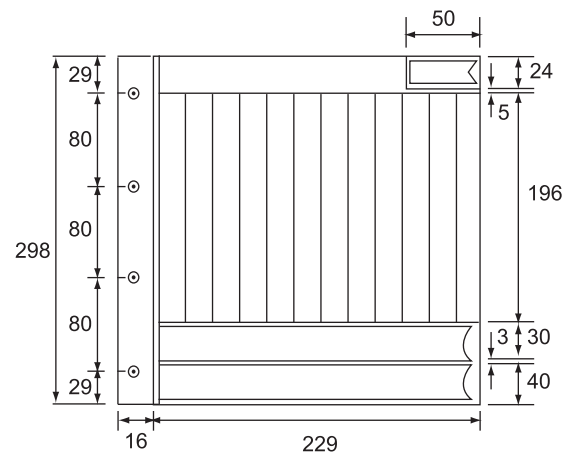
Kit Resistors

Chip Type

Album Kit Dimension

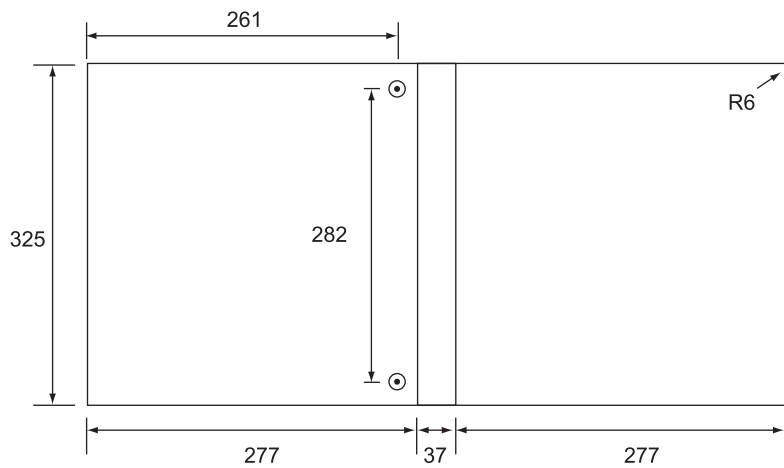


Inserts for Chip Kit



Coated Type

Album Kit Dimension



Inserts for Coated Kit

