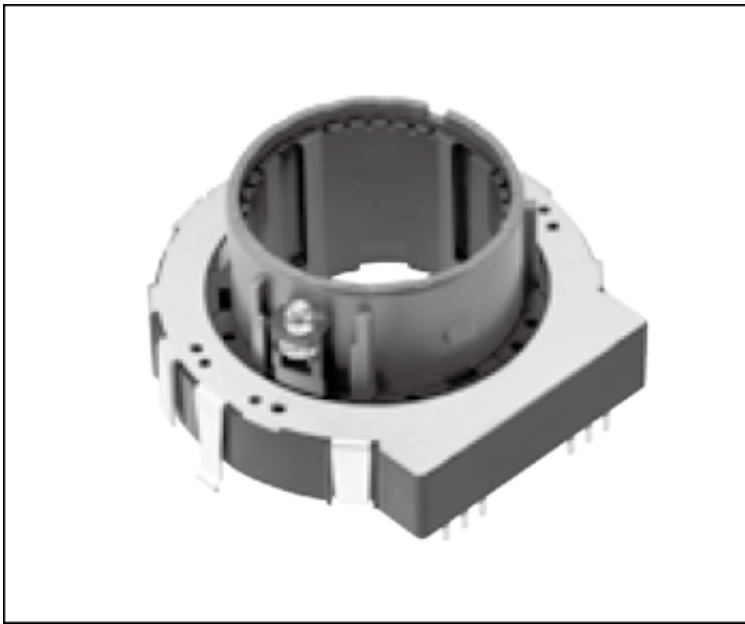


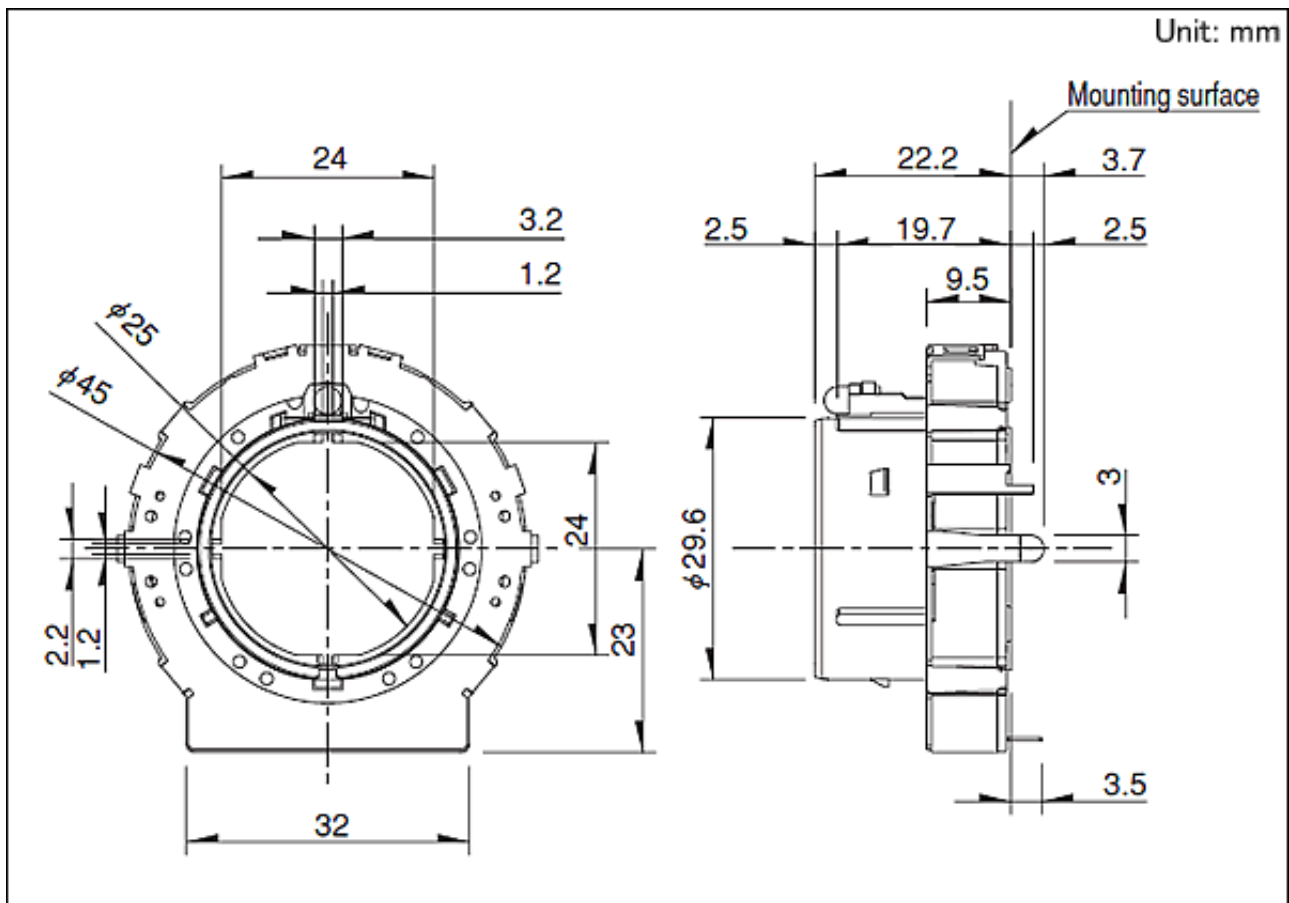
45mm Size LED Illuminated Type RK45B/RK45C Series

Part number	RK45B1A00002	
Total resistance	5k Ω	
Resistance taper	B	
Number of positions	17	
Total rotational angle	180° \pm 5° (270° max.)	
Detent torque	40 \pm 16mN·m	
LED	Red	
Maximum operating voltage	50V AC, 30V DC	
Operating temperature range	-40°C to +85°C	
Electrical performance	Contact resistance	\pm 20%
	Rated power	0.05W
	Insulation resistance	10M Ω min. 50V DC
	Voltage proof	50V AC for 1 minute
Mechanical performance	Stopper strength	1N · m
	Push-pull strength	100N (Push), 50N (Pull)
	Vibration	10 to 55 to 10Hz/min., the amplitude is 1.5mm for all the frequencies, in the 3 direction of X, Y and Z for 2 hours respectively
Durability	Operating life	30,000 cycles
Minimum order unit (pcs.)	Japan	200
	Export	200

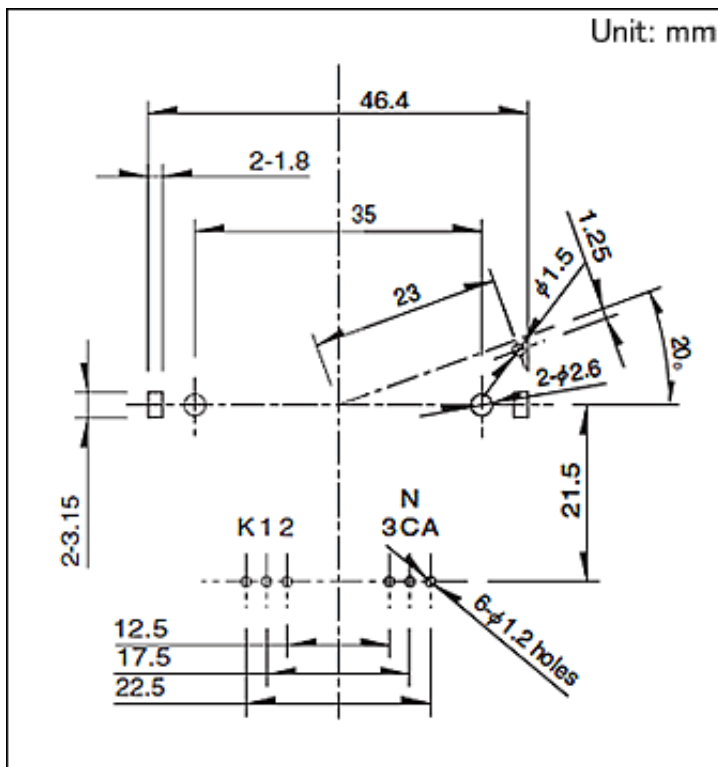
Photo



Dimensions



Mounting Hole Dimensions



Viewed from mounting face.

Packing Specifications

Tray

Number of packages (pcs.)	1 case / Japan	200
	1 case / export packing	200
Export package measurements (mm)	540×360×205	

Soldering Conditions

Reference for Dip Soldering

Preheating	Soldering surface temperature	100°C max.
	Heating time	2 min. max.
Dip soldering	Soldering temperature	260°C max.
	Soldering time	5s max.
No. of solders	2 time max.	

Reference for Hand Soldering

Tip temperature	350°C max.
Soldering time	3s max.

No. of solders

1 time

Notes are common to this series/models.

1. This site catalog shows only outline specifications. When using the products, please obtain formal specifications for supply.
2. Please place purchase orders per minimum order unit (integer).
3. Products other than those listed in the above chart are also available. Please contact us for details.
4. We can also provide LED colors other than the above mentioned. Contact us if you have such requirements.
5. This products can be used in vehicles.

Although these products are designed to perform over a wide operating temperature range, please ensure that you receive and read the formal delivery specifications before use.