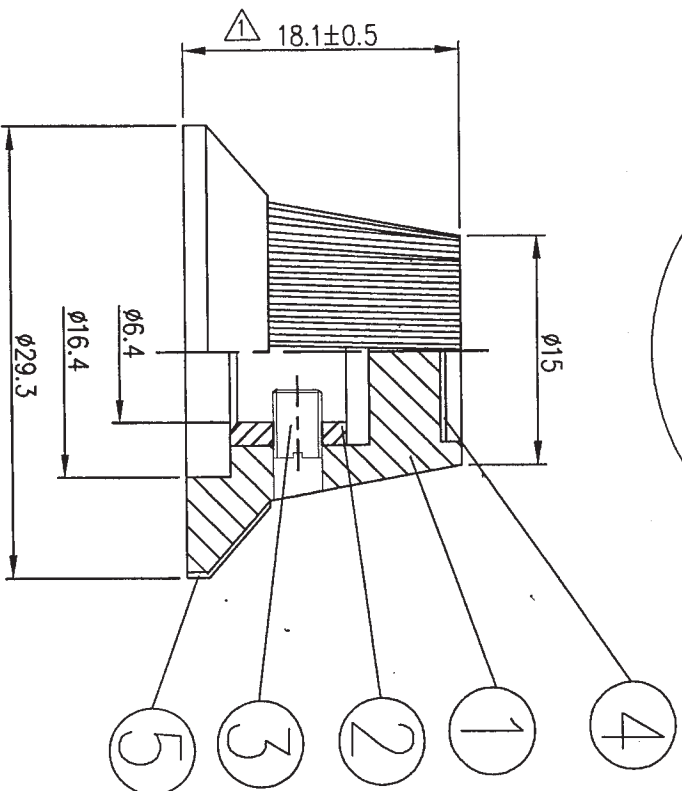
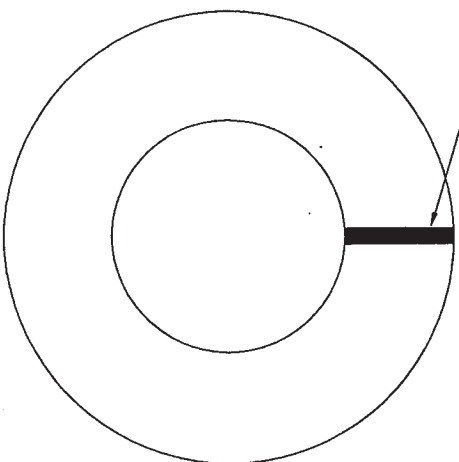


Date	Name	Description	No.
11/24/14	黃洋	依實物修改尺寸公差18.1改為18.1±0.5	△



Tolerances ±0.3mm Unless Otherwise Specified

No	Description	Q'ty	Material	Specification	Finish	Remark
5	Name plate	1	Al			
4	Aluminum plate	1	Al			
3	Screw	1	Brass alloy	M4*P0.7*5L		
2	Metal insert	1	Zinc Alloy	φ9.2*8L*φ6.4		
1	Housing	1	ABS			
Drawn		Checked	Approved	SCI BOM No.	Model Name	Remark
黃洋		羅木輝	Simon	1420100	CONTROL KNOBS	
11/24/14		11/24-14	11/24-14	Unit	mm	Shin Chin Industrial Co., Ltd.
						Rev. 1