

## WL Series

SAMXON®

## Screw Terminal Type(螺釘型), Long Life Assurance(長壽命保証)

## FEATURES

1. Load life of 20000 hours application of ripple current at 85°C
2. High ripple, high reliability.
3. Best for use in industrial power supplies for inverter circuitry.



## SPECIFICATIONS

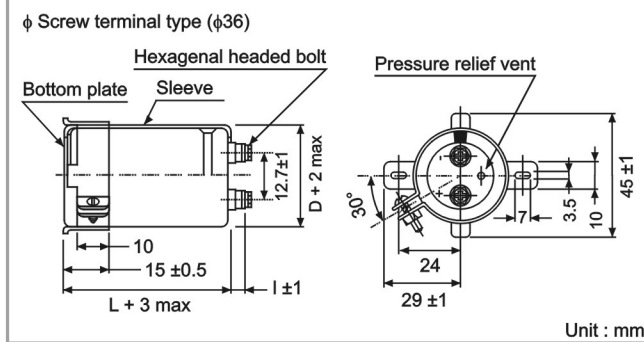
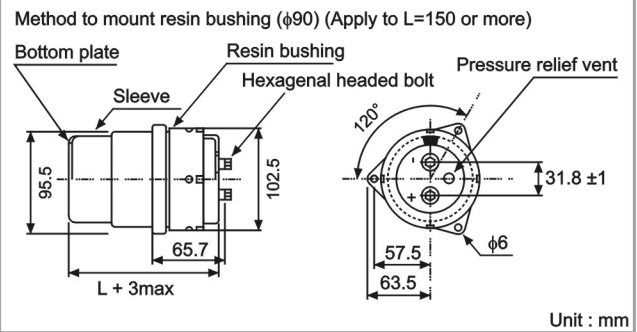
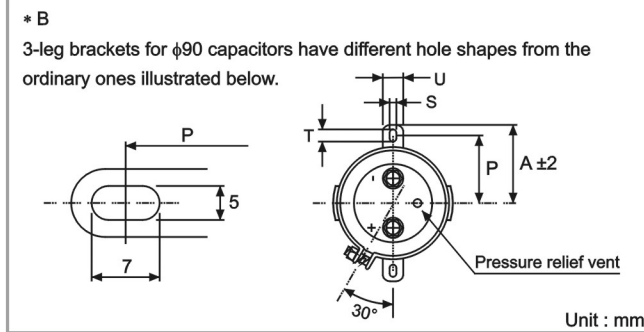
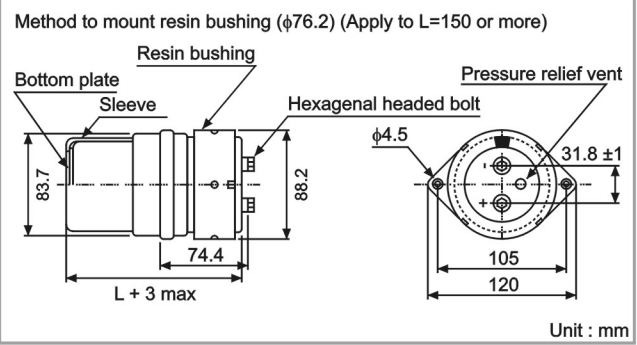
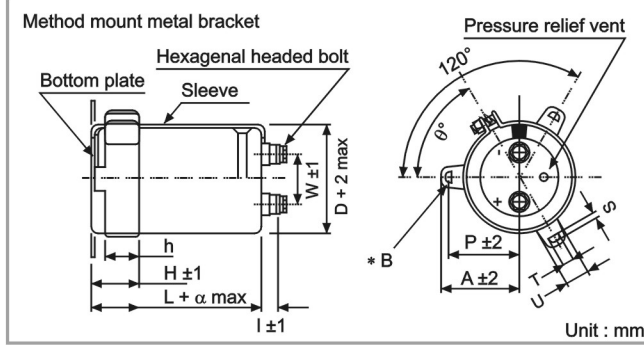
Item	Performance Characteristics	
Operating Temperature Range	-25 to +85°C	
Rated Working Voltage Range	350 to 450V	
Nominal Capacitance Range	2200 to 12000µF	
Capacitance Tolerance	±20% (120Hz, +20°C)	
Leakage Current	I = 0.02CV or 5(mA) after 5 minutes application of rated working voltage at +20°C, whichever is smaller	
Dissipation Factor tan δ (120Hz, +20°C)	Working Voltage (V)	350~450
	tan δ(max.)	0.25
Low Temperature Characteristics	Impedance ratio max. at 120Hz	
	Working Voltage (V)	350~450
	Z-25°C / Z+20°C	8
High Temperature Loading	Test conditions	Post test requirements at +20°C
	The following specifications shall be satisfied when the capacitors are restored to 20°C after the rated voltage with the rated ripple current applied for 20000 hours at 85°C	Leakage current : ≤ Initial specified value Cap. change : within ±30% of initial measured value tan δ : ≤ 300% of initial specified value
Shelf Life	At +85°C no voltage applied after 1000 hours and then being stabilized at 20°C the capacitors shall meet the limits below.	
	Leakage current : ≤ Initial specified value Cap. change : within ±20% of initial measured value tan δ : ≤ 200% of initial specified value	
Others	JIS C - 5101 (IEC 60384-4)	

WL

Large Can Aluminum Electrolytic Capacitors

Screw Terminal Type(螺釘型), Long Life Assurance(長壽命保証)

CASE SIZE TABLE



**Dimension of terminal pitch (w) and (l) and Nominal dia. of bolt**

φD	w	l	α	Nominal dia. of bolt
63.5	28.6	6	3	M5
76.2	31.8	6	3	M5
90	31.8	6	3	M5

**Dimension of mounting bracket**

Voltage (Code)		3 - Leg			2 - Leg		
Symbol	φD	63.5	76.2	90	63.5	76.2	90
P		38.1	44.5	50.8	40.5	46.5	53
A		43	49.2	58.5	46.5	53	59
T		8.0	7.0	8.0	7.0	6.0	6.0
S		5.0	5.0	5.0	4.5	4.5	4.5
U		14	14	18	14	14	14
θ°		60	60	60	30	30	30
H		25	30	35	35	35	35
h		20	24	25	20	20	20

RIPPLE CURRENT MULTIPLIER

**Frequency Coefficient**

Freq.(Hz)	50	120	300	1K
350 ~ 450V	0.8	1.0	1.1	1.3

## WL Series

SAMXON®

## Screw Terminal Type(螺釘型), Long Life Assurance(長壽命保證)

## DIMENSIONS

Voltage (Code)		350V (2V)		400V (2G)		450V (2W)			
SV		400V		450		500V			
Cap.( $\mu$ F)	Code	Case Size	Ripple Current	Case Size	Ripple Current	Case Size	Ripple Current		
2200	228					63.5 x 120	9.1		
2700	278			63.5 x 120	10.1	63.5 x 130	10.6		
						76.2 x 120	11.2		
3300	338	63.5 x 120	11.1	63.5 x 130	11.7	63.5 x 160	12.7		
						76.2 x 130	13.0		
3900	398	63.5 x 130	12.8	63.5 x 160	13.8	63.5 x 170	14.4		
								76.2 x 120	14.7
4700	478	63.5 x 160	15.2	63.5 x 170	15.8	76.2 x 160	16.7		
		76.2 x 120	14.7	76.2 x 130	15.5				
5600	568	63.5 x 170	17.3	63.5 x 190	18.2	76.2 x 190	20.1		
		76.2 x 130	16.9	76.2 x 160	18.3	90 x 160	19.9		
6800	688	63.5 x 190	20.0	76.2 x 170	21.0	90 x 170	23.0		
		76.2 x 160	20.2						
8200	828	76.2 x 170	23.1	90 x 160	24.1	90 x 190	26.4		
10000	109	90 x 160	26.6	90 x 190	29.1				
12000	129	90 x 190	32.0						

Maximum Allowable Ripple Current (A rms) at 85°C 120Hz

Case Size  $\phi$ D x L(mm)

WL

Large Can Aluminum Electrolytic Capacitors