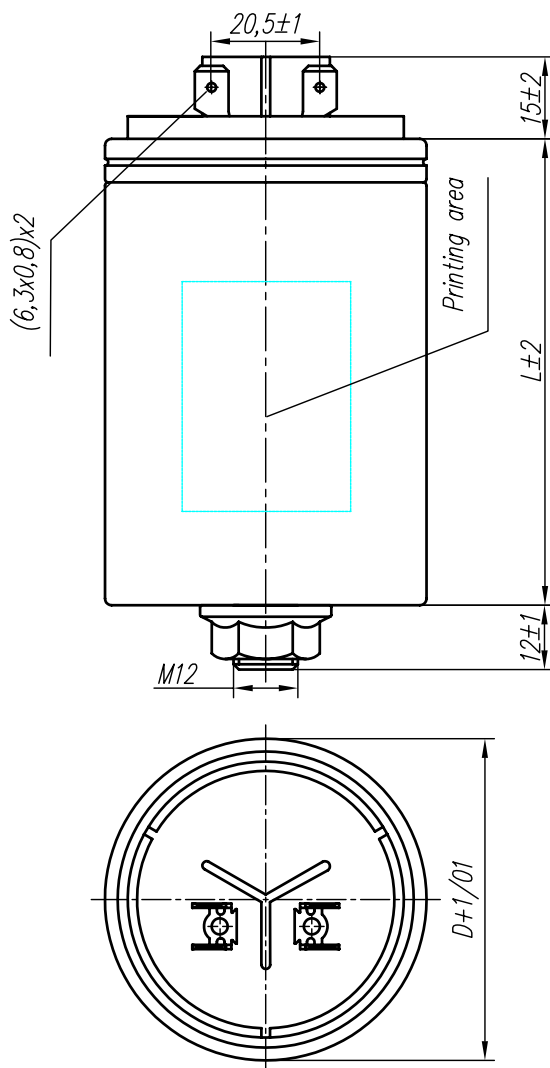


AC METALLIZED POLYPROPYLENE FILM CAPACITORS FOR MOTOR APPLICATIONS



Printing

MIFLEX	
MKSP - I18	
40 μ F \pm 5%	
400V~ kl.B	
450V~ kl.C	
50-60Hz	
40/85/21 40	
S2	
EN 60252-1	
VDE 0560-8	
J3	

Capacitor dimensions

Capacitance	Capacitor dimensions	
	D ₀ ⁺¹	L \pm 2
μ F	mm	mm
40	60	74
55		125
60		
65		

TECHNICAL DATA:

- Capacitance : - acc. table
- Capacitance tolerance: - \pm 5% ,
- Rated voltage U_R : - 400V / 450V -50Hz,
- Climatic category: - 40/085/21 acc. to EN 60068-1,
- Tangent of the loss angle: - \leq 0,0015 / U_R - 50Hz,
- Dielectric strength:
 - between terminals - 2 U_R - 2s,
 - between terminals connected together and case - 2,5kV / 50Hz - 2s,
- Case: - aluminium,
- Specifications: - WT-04/MIFLEX/MKSP-I18,
- Application class: - 400VAC -cl.B (10000h),450VAC -cl.C (3000h),
- Safety class: - S2,
- Protection degree: - IP00,
- The capacitors meet the requirements of: - EN 60252-1, VDE 0560 part 8,
- This product fulfils the requirements of the RoHS Directive (2011/65/UE).

Upon customer's request these capacitors may be delivered without the hexagonal teathed flange nut.

 **MIFLEX S.A.**

ZAKŁADY PODZESPOŁÓW RADIOWYCH
GRUNWALDZKA 3, 99-300 KUTNO, POLAND
Telephone: +48 24 355 11 00
Fax: +48 24 355 11 88
e-mail: miflexsa@miflex.com.pl

Revision date
19.09.2017

Page
10a/10