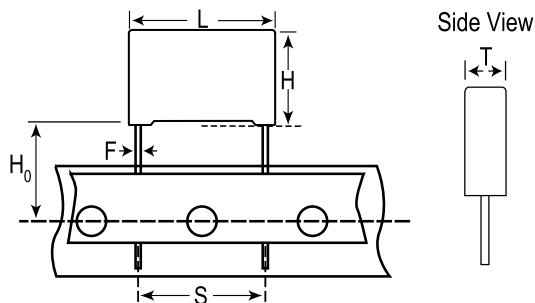


Film, Metallized Polypropylene, Safety, R46, 0.22 uF, 20%, 630 V, 310 V, 110C, Lead Spacing = 15mm



| General Information | |
|---------------------|--------------------------|
| Dielectric: | Metallized Polypropylene |
| Style: | Radial |
| Series: | R46 |
| Features: | Pulse |
| RoHS: | Yes |
| Lead: | Wire Leads |
| Approvals: | ENEC, UL, cUL, CQC |

| Dimensions | |
|------------|-----------------|
| L | 18mm +0.5mm |
| H | 13.5mm +0.1mm |
| T | 7.5mm +0.2mm |
| S | 15mm +/-0.4mm |
| H0 | 18.5mm +/-0.5mm |
| F | 0.6mm +/-0.05mm |

| Specifications | |
|------------------------|-----------|
| Capacitance: | 0.22 uF |
| Capacitance Tolerance: | 20% |
| Voltage DC: | 630 VDC |
| Voltage AC: | 310 VAC |
| Temperature Range: | -40/+110C |
| Rated Temperature: | 110C |
| Dissipation Factor: | 0.1% 1kHz |
| Insulation Resistance: | 100 GOhms |
| Max dVdt: | 400 V |
| Safety Class: | X2 |

| Packaging Specifications | |
|--------------------------|-------------------------|
| Packaging: | Ammo, 360x340x59mm, Box |
| Packaging Quantity: | 500 |