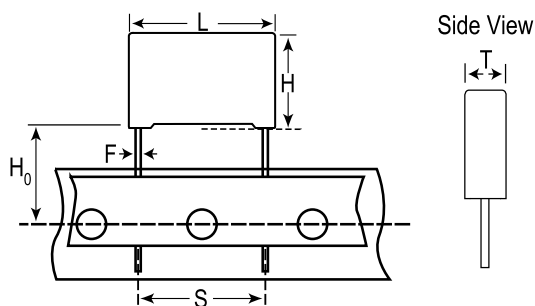


Film, Metallized Polypropylene, Safety, R41, 0.047 uF, 20%, 1,000 V, 300 V, 110C, Lead Spacing = 22.5mm



General Information	
Dielectric:	Metallized Polypropylene
Style:	Radial
Series:	R41
Features:	Pulse
RoHS:	Yes
Lead:	Wire Leads
Approvals:	AEC-Q200, ENEC, UL, cUL, CQC
AEC-Q200:	Yes

Dimensions	
L	26.5mm +0.3mm
H	15mm +0.1mm
T	6mm +0.2mm
S	22.5mm +/-0.4mm
H0	18.5mm +/-0.5mm
F	0.8mm +/-0.05mm

Specifications	
Capacitance:	0.047 uF
Capacitance Tolerance:	20%
Voltage DC:	1000 VDC
Voltage AC:	300 VAC
Temperature Range:	-40/+110C
Rated Temperature:	110C
Dissipation Factor:	0.3% 1kHz
Insulation Resistance:	100 GOhms
Max dVdt:	500 V
Safety Class:	Y2

Packaging Specifications	
Packaging:	Ammo, 360x340x59mm, Box
Packaging Quantity:	464

Statements of suitability for certain applications are based on our knowledge of typical operating conditions for such applications, but are not intended to constitute - and we specifically disclaim - any warranty concerning suitability for a specific customer application or use. This Information is intended for use only by customers who have the requisite experience and capability to determine the correct products for their application. Any technical advice inferred from this Information or otherwise provided by us with reference to the use of our products is given gratis, and we assume no obligation or liability for the advice given or results obtained.