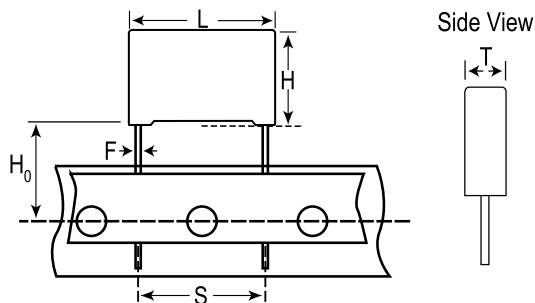


Film, Metallized Polypropylene, Safety, R41, 0.015 uF, 20%, 1,000 V, 300 V, 110C, Lead Spacing = 15mm



General Information	
Dielectric:	Metallized Polypropylene
Style:	Radial
Series:	R41
Features:	Pulse
RoHS:	Yes
Lead:	Wire Leads
Approvals:	AEC-Q200, ENEC, UL, cUL, CQC
AEC-Q200:	Yes

Dimensions	
L	18mm +0.3mm
H	11mm +0.1mm
T	5mm +0.2mm
S	15mm +/-0.4mm
H0	18.5mm +/-0.5mm
F	0.6mm +/-0.05mm

Specifications	
Capacitance:	0.015 uF
Capacitance Tolerance:	20%
Voltage DC:	1000 VDC
Voltage AC:	300 VAC
Temperature Range:	-40/+110C
Rated Temperature:	110C
Dissipation Factor:	0.3% 1kHz
Insulation Resistance:	100 GOhms
Max dVdt:	600 V
Safety Class:	Y2

Packaging Specifications	
Packaging:	Ammo, 360x340x59mm, Box
Packaging Quantity:	800