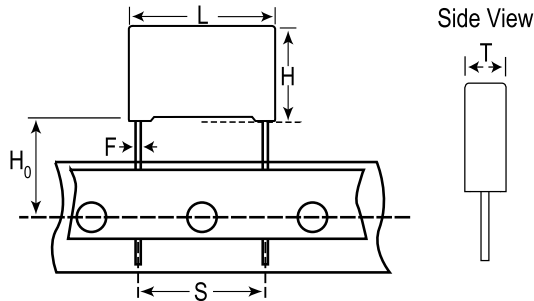


# KEMET Part Number: R82EC2220DQ50J



Capacitor, Film, Metallized Polyester (Stacked), 0.022 uF, +/-5% Tol, -55/+105C, General Purpose, 100 VDC@85C, Lead Spacing=5 mm



| General Information |                                |
|---------------------|--------------------------------|
| Supplier:           | KEMET                          |
| Dielectric:         | Metallized Polyester (Stacked) |
| Application:        | General Purpose                |
| Sub Application:    | AEC-Q200                       |
| Style:              | Radial Box                     |
| Lead Form:          | Wire Leads                     |
| Features:           | Pulse                          |
| Approvals:          | AEC-Q200                       |
| RoHS:               | Yes                            |

| Dimensions (mm) |           |           |
|-----------------|-----------|-----------|
| Symbol          | Dimension | Tolerance |
| L               | 7.2       | +0.2      |
| H               | 6.5       | +0.1      |
| T               | 2.5       | +0.1      |
| S               | 5         | +/-0.4    |
| F               | 0.5       | +/-0.05   |
| H <sub>0</sub>  | 18.5      | +/-0.5    |

| Specifications               |   |
|------------------------------|---|
| Capacitance:                 | 0.022 uF  |
| Voltage:                     | 100 VDC   |
| Tolerance:                   | +/-5%   |
| Voltage AC:                  | 63 VAC  |
| Rated Temperature:           | 85C   |
| Temperature Range:           | -55/+105C                                       |
| Dissipation Factor @ 1 kHz:  | 0.8%  |
| Dissipation Factor @ 10 kHz: | 1.2%  |
| Dissipation Factor @ 100kHz: | 2.5%  |
| Insulation Resistance:       | 15 GOhm   |
| Inductance:                  | 7   |
| Maximum dVdT:                | 200 v/us  |
| Miscellaneous:               | Above 85C DC And AC Voltage Derating Is 1.25%/C |

| Packaging Specifications |              |
|--------------------------|--------------|
| Package Kind:            | Ammo         |
| Package Size:            | 360x340x59mm |
| Package Quantity:        | 3500         |

Statements of suitability for certain applications are based on our knowledge of typical operating conditions for such applications, but are not intended to constitute - and we specifically disclaim - any warranty concerning suitability for a specific customer application or use. This Information is intended for use only by customers who have the requisite experience and capability to determine the correct products for their application. Any technical advice inferred from this Information or otherwise provided by us with reference to the use of our products is given gratis, and we assume no obligation or liability for the advice given or results obtained.



© 2006-2016 IntelliData.net