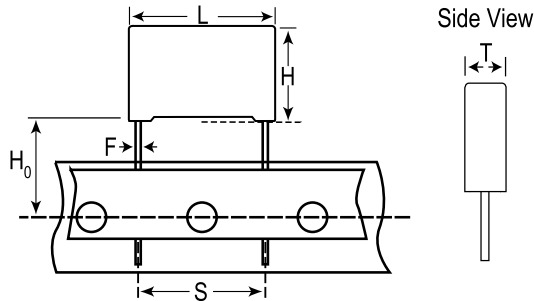


**KEMET Part Number: R76PF1470DQ00K**  
(76PF1470DQ00K)

Capacitor, Film, Double Metallized Polypropylene, 4700 pF, +/-10% Tol, -55/+105C, General Purpose, 630 VDC@85C, Lead Spacing=10 mm



General Information	
Supplier:	KEMET
Dielectric:	Double Metallized Polypropylene
Application:	General Purpose
Sub Application:	AEC-Q200
Style:	Radial Box
Lead Form:	Wire Leads
Features:	Pulse
Approvals:	AEC-Q200
RoHS:	Yes

Dimensions (mm)		
Symbol	Dimension	Tolerance
L	13	+0.2
H	9	+0.1
T	4	+0.2
S	10	+/-0.4
F	0.6	+/-0.05
H0	18.5	+/-0.5

Specifications	
Capacitance:	4700 pF
Voltage:	630 VDC
Tolerance:	+/-10%
Voltage AC:	400 VAC
Rated Temperature:	85C
Temperature Range:	-55/+105C
Dissipation Factor @ 1 kHz:	0.1%
Dissipation Factor @ 10 kHz:	0.06%
Dissipation Factor @ 100kHz:	0.1%
Insulation Resistance:	100 GOhm
Inductance:	9
Maximum dVdT:	3000 v/us
Miscellaneous:	Voltage Derating: 1.35%/C Above 75C (AC), 1.25%/C Above 85C (DC)

Packaging Specifications	
Package Kind:	Ammo
Package Size:	360x340x59mm
Package Quantity:	1000