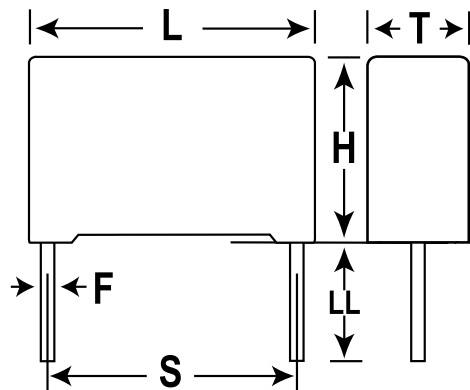


KEMET Part Number: R76MD1470SE30J
(76MD1470SE30J)

Capacitor, Film, Double Metallized Polypropylene, 4700 pF, +/-5% Tol, -55/+105C, General Purpose, 400 VDC@85C, Lead Spacing=7.5 mm



General Information	
Supplier:	KEMET
Dielectric:	Double Metallized Polypropylene
Application:	General Purpose
Sub Application:	AEC-Q200
Style:	Radial Box
Lead Form:	cut
Features:	Pulse
Approvals:	AEC-Q200
RoHS:	Yes

Dimensions (mm)		
Symbol	Dimension	Tolerance
L	10	+0.2
H	8	+0.1
T	3	+0.1
S	7.5	+/-0.4
LL	4	+1.5
F	0.5	+/-0.05

Specifications	
Capacitance:	4700 pF
Voltage:	400 VDC
Tolerance:	+/-5%
Voltage AC:	250 VAC
Rated Temperature:	85C
Temperature Range:	-55/+105C
Dissipation Factor @ 1 kHz:	0.1%
Dissipation Factor @ 10 kHz:	0.06%
Dissipation Factor @ 100kHz:	0.1%
Insulation Resistance:	100 GOhm
Inductance:	8
Maximum dVdT:	1700 v/us
Miscellaneous:	Voltage Derating: 1.35%/C Above 75C (AC), 1.25%/C Above 85C (DC)

Packaging Specifications	
Package Kind:	Bulk
Package Quantity:	1500