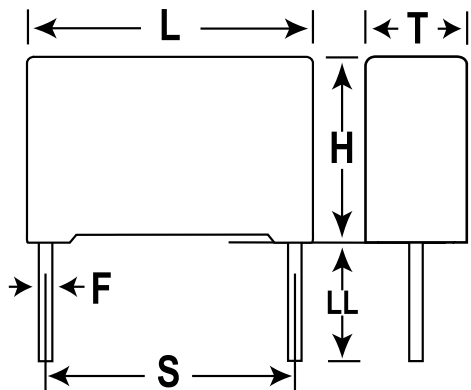


KEMET Part Number: R75QR34704010J
(75QR34704010J)

Capacitor, Film, Metallized Polypropylene, 0.47 uF, +/-5% Tol, -55/+105C, General Purpose, 1000 VDC@85C, Lead Spacing=27.5 mm



| Dimensions (mm) | | |
|-----------------|-----------|-----------|
| Symbol | Dimension | Tolerance |
| L | 32 | +0.3 |
| H | 25 | +0.1 |
| T | 13 | +0.2 |
| S | 27.5 | +/-0.4 |
| LL | 30 | +5 |
| F | 0.8 | +/-0.05 |

| Packaging Specifications | |
|--------------------------|------|
| Package Kind: | Bulk |
| Package Quantity: | 288 |

| General Information | |
|---------------------|--------------------------|
| Supplier: | KEMET |
| Dielectric: | Metallized Polypropylene |
| Application: | General Purpose |
| Style: | Radial Box |
| Lead Form: | Wire Leads |
| Features: | Pulse |
| RoHS: | Yes |

| Specifications | |
|------------------------------|---|
| Capacitance: | 0.47 uF |
| Voltage: | 1000 VDC |
| Tolerance: | +/-5% |
| Voltage AC: | 250 VAC |
| Rated Temperature: | 85C |
| Temperature Range: | -55/+105C |
| Dissipation Factor @ 1 kHz: | 0.05% |
| Dissipation Factor @ 10 kHz: | 0.08% |
| Insulation Resistance: | 63.83 GOhm |
| Inductance: | 18 |
| Maximum dVdT: | 200 v/us |
| Miscellaneous: | Above 85C DC And AC Voltage Derating Is 1.25%/C |