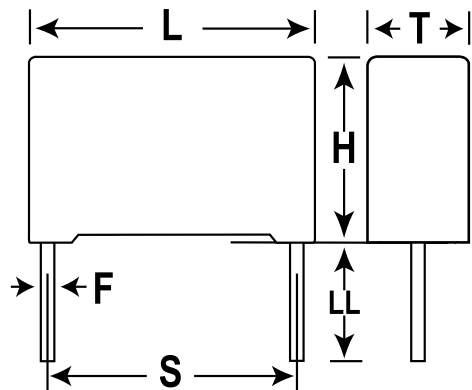


**KEMET Part Number: R71VI34704020K**  
(71VI34704020K)

Capacitor, Film, Metallized Polypropylene, 0.47 uF, +/-10% Tol, -40/+110C, General Purpose, 520 VDC@105C, Lead Spacing=15 mm



Dimensions (mm)		
Symbol	Dimension	Tolerance
L	18	+0.5
H	12	+0.1
T	13	+0.2
S	15	+/-0.4
LL	30	+5
F	0.8	+/-0.05

Packaging Specifications	
Package Kind:	Bulk
Package Quantity:	490

General Information	
Supplier:	KEMET
Dielectric:	Metallized Polypropylene
Application:	General Purpose
Sub Application:	Pulse
Style:	Radial Box
Lead Form:	Wire Leads
Features:	Pulse
RoHS:	Yes

Specifications	
Capacitance:	0.47 uF
Voltage:	520 VDC
Tolerance:	+/-10%
Voltage AC:	250 VAC
Rated Temperature:	105C
Temperature Range:	-40/+110C
Dissipation Factor @ 1 kHz:	0.1%
Dissipation Factor @ 10 kHz:	0.1%
Dissipation Factor @ 100kHz:	0.1%
Insulation Resistance:	63.83 GOhm
Inductance:	10
Maximum dVdT:	200 v/us
Miscellaneous:	Above 105C DC And AC Voltage Derating Is 4%/C