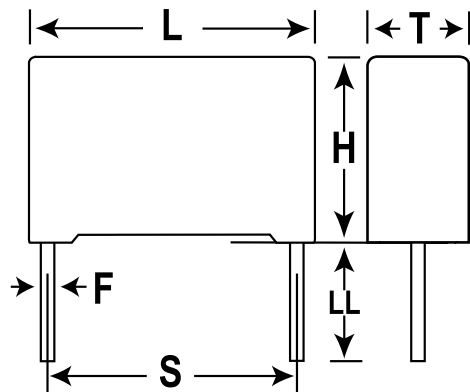


KEMET Part Number: R71QR42204010K
(71QR42204010K)

Capacitor, Film, Metallized Polypropylene, 2.2 uF, +/-10% Tol, -40/+110C, General Purpose, 1000 VDC@105C, Lead Spacing=27.5 mm



Dimensions (mm)		
Symbol	Dimension	Tolerance
L	32	+0.3
H	33	+0.1
T	18	+0.2
S	27.5	+/-0.4
LL	30	+5
F	0.8	+/-0.05

Packaging Specifications	
Package Kind:	Bulk
Package Quantity:	128

General Information	
Supplier:	KEMET
Dielectric:	Metallized Polypropylene
Application:	General Purpose
Sub Application:	Pulse
Style:	Radial Box
Lead Form:	Wire Leads
Features:	Pulse
RoHS:	Yes

Specifications	
Capacitance:	2.2 uF
Voltage:	1000 VDC
Tolerance:	+/-10%
Voltage AC:	275 VAC
Rated Temperature:	105C
Temperature Range:	-40/+110C
Dissipation Factor @ 1 kHz:	0.1%
Dissipation Factor @ 10 kHz:	0.1%
Dissipation Factor @ 100kHz:	0.1%
Insulation Resistance:	13.64 GOhm
Inductance:	18
Maximum dVdT:	180 v/us
Miscellaneous:	Above 105C DC And AC Voltage Derating Is 4%/C