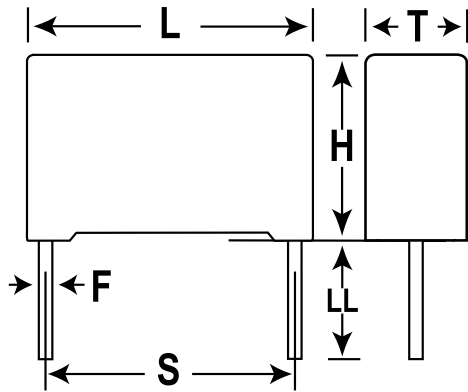


Capacitor, Film, Metallized Polyester, 1 uF, +/-10% Tol, -55/+105C, General Purpose, 400 VDC@85C, Lead Spacing=22.5 mm



General Information	
Supplier:	KEMET
Dielectric:	Metallized Polyester
Application:	General Purpose
Sub Application:	AEC-Q200
Style:	Radial Box
Lead Form:	Wire Leads
Features:	Pulse
Approvals:	AEC-Q200
RoHS:	Yes

Dimensions (mm)		
Symbol	Dimension	Tolerance
L	26.5	+0.3
H	17	+1
T	8.5	+0.2
S	22.5	+/-0.4
LL	25	+2/-1
F	0.8	+/-0.05

Specifications	
Capacitance:	1 uF
Voltage:	400 VDC
Tolerance:	+/-10%
Voltage AC:	200 VAC
Rated Temperature:	85C
Temperature Range:	-55/+105C
Dissipation Factor @ 1 kHz:	1%
Insulation Resistance:	10 GOhm
Inductance:	18
Maximum dVdT:	10 v/us
Miscellaneous:	Upper Operating Temperature Of 125C Is Allowed For A Maximum Operating Time Of 1,000 Hours. Above 85C, DC And AC Voltage Derating Is 1.25%/C.

Packaging Specifications	
Package Kind:	Bulk
Package Quantity:	300