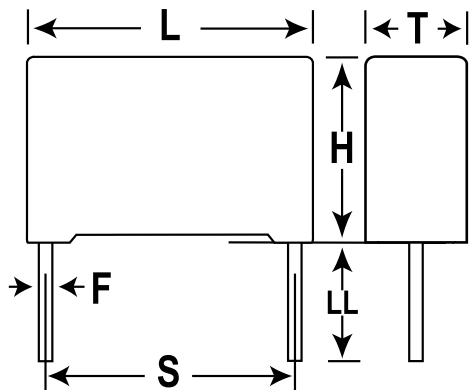


Capacitor, Film, Metallized Polypropylene, 2.2 uF, +/-20% Tol, -40/+110C, Safety: X2, 275 VAC, Lead Spacing=22.5 mm



| General Information | |
|---------------------|--------------------------|
| Supplier: | KEMET |
| Dielectric: | Metallized Polypropylene |
| Application: | Safety: X2 |
| Style: | Radial Box |
| Lead Form: | cut |
| Features: | Pulse |
| Approvals: | ENEC,UL,cUL,CQC |
| RoHS: | Yes |

| Dimensions (mm) | | |
|-----------------|-----------|-----------|
| Symbol | Dimension | Tolerance |
| L | 26.5 | +0.3 |
| H | 22 | +0.1 |
| T | 13 | +0.2 |
| S | 22.5 | +/-0.4 |
| LL | 4 | +2 |
| F | 0.8 | +/-0.05 |

| Specifications | |
|-----------------------------|------------|
| Capacitance: | 2.2 uF |
| Voltage: | 560 VDC |
| Tolerance: | +/-20% |
| Voltage AC: | 275 VAC |
| Rated Temperature: | 110C |
| Temperature Range: | -40/+110C |
| Dissipation Factor @ 1 kHz: | 0.1% |
| Insulation Resistance: | 13.64 GOhm |
| Maximum dVdT: | 200 v/us |

| Packaging Specifications | |
|--------------------------|------|
| Package Kind: | Bulk |
| Package Quantity: | 300 |