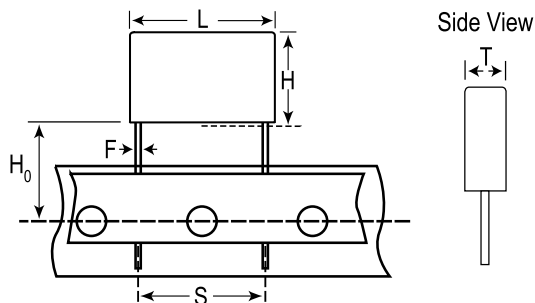


KEMET Part Number: PME271M622KR19T0
(P276CP224K275L)

Capacitor, Film, Metallized Paper, 0.22 uF, +/-10% Tol, -40/+110C, Safety: X2, 275 VAC, Lead Spacing=20.3 mm



General Information	
Supplier:	KEMET
Dielectric:	Metallized Paper
Application:	Safety: X2
Style:	Radial Molded
Lead Form:	Wire Leads
Features:	Pulse
Approvals:	ENEC,UL,cUL
RoHS:	Yes

Dimensions (mm)		
Symbol	Dimension	Tolerance
L	24	MAX
H	16.5	MAX
T	11.3	MAX
S	20.3	+/-0.5
F	0.8	NOM
H0	18.5	+/-0.5

Specifications	
Capacitance:	0.22 uF
Voltage:	630 VDC
Tolerance:	+/-10%
Voltage AC:	275 VAC
Rated Temperature:	110C
Temperature Range:	-40/+110C
Dissipation Factor @ 1 kHz:	1.3%
Insulation Resistance:	12 GOhm
Maximum dVdT:	600 v/us
Miscellaneous:	SRF= 2.7 MHz

Packaging Specifications	
Package Kind:	T&R
Package Size:	Standard
Package Quantity:	180