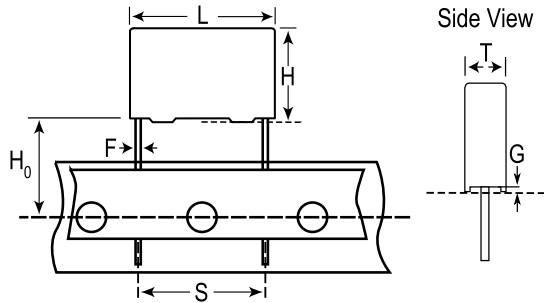


**KEMET Part Number: PHE450MA5100JR17T0**  
(F450AG103J630L)

Capacitor, Film, Double Metallized Polypropylene, 0.01 uF, +/-5% Tol, -55/+105C, General Purpose, 630 VDC@85C, Lead Spacing=10 mm



General Information	
Supplier:	KEMET
Dielectric:	Double Metallized Polypropylene
Application:	General Purpose
Sub Application:	DC or AC applications
Style:	Radial Box
Lead Form:	Wire Leads
Features:	Pulse
RoHS:	Yes

Dimensions (mm)		
Symbol	Dimension	Tolerance
L	13	MAX
H	9	MAX
T	4	MAX
S	10	+/-0.4
G	0.5	NOM
F	0.6	+/-0.05
H0	18.5	+/-0.5

Specifications	
Capacitance:	0.01 uF
Voltage:	630 VDC
Tolerance:	+/-5%
Voltage AC:	300 VAC
Voltage:	466.2 VDC (105C)
Rated Temperature:	85C
Temperature Range:	-55/+105C
Dissipation Factor @ 1 kHz:	0.03%
Dissipation Factor @ 10 kHz:	0.04%
Dissipation Factor @ 100kHz:	0.15%
Insulation Resistance:	3000 GOhm
Inductance:	6
Maximum dVdT:	1200 v/us
Miscellaneous:	The Rated Voltage Decreases 1.3%/C Between +85C And +105C
Miscellaneous:	Rthha= 142 C/W (85C), 0.2 m/s

Packaging Specifications	
Package Kind:	T&R
Package Size:	Standard
Package Quantity:	900