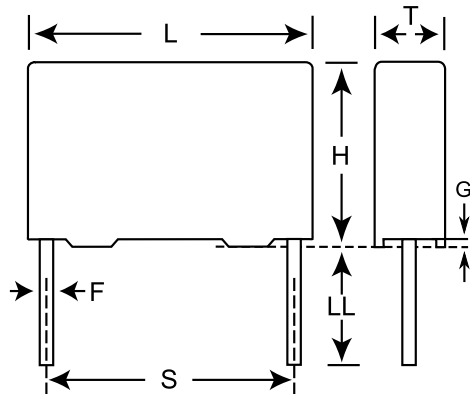


KEMET Part Number: PHE450KK3330JR17
(F450KG331J400A)

Capacitor, Film, Double Metallized Polypropylene, 330 pF, +/-5% Tol, -55/+105C, General Purpose, 400 VDC@85C, Lead Spacing=7.5 mm



Dimensions (mm)		
Symbol	Dimension	Tolerance
L	10	MAX
H	8	MAX
T	4	MAX
S	7.5	+/-0.4
LL	17	-1
G	0.5	NOM
F	0.6	+/-0.05

Packaging Specifications	
Package Kind:	Bulk
Package Quantity:	1000

General Information	
Supplier:	KEMET
Dielectric:	Double Metallized Polypropylene
Application:	General Purpose
Sub Application:	DC or AC applications
Style:	Radial Box
Lead Form:	Wire Leads
Features:	Pulse
RoHS:	Yes

Specifications	
Capacitance:	330 pF
Voltage:	400 VDC
Tolerance:	+/-5%
Voltage AC:	250 VAC
Voltage:	296 VDC (105C)
Rated Temperature:	85C
Temperature Range:	-55/+105C
Dissipation Factor @ 1 kHz:	0.03%
Dissipation Factor @ 10 kHz:	0.04%
Dissipation Factor @ 100kHz:	0.15%
Insulation Resistance:	90909.09 GOhm
Inductance:	6
Maximum dVdT:	2000 v/us
Miscellaneous:	The Rated Voltage Decreases 1.3%/C Between +85C And +105C
Miscellaneous:	Rthha= 160 C/W (85C), 0.2 m/s