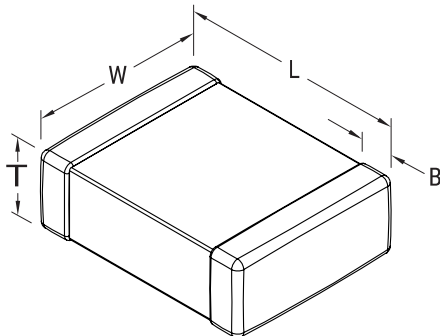


**KEMET Part Number: LDEIA1100KA0N00**  
(DEIA1100KA0N00)

Capacitor, Film, Metallized PEN (Stacked), 1000 pF, +/-10% Tol, General Purpose, 250 VDC@125C



| Dimensions (mm) |           |           |
|-----------------|-----------|-----------|
| Symbol          | Dimension | Tolerance |
| L               | 3.3       | +0.3/-0.1 |
| W               | 1.7       | +/-0.2    |
| T               | 1.1       | MAX       |
| B               | 0.5       | +0.5/-0.3 |

| Packaging Specifications |          |
|--------------------------|----------|
| Package Kind:            | T&R      |
| Package Size:            | Standard |
| Package Quantity:        | 3000     |

| General Information |                          |
|---------------------|--------------------------|
| Supplier:           | KEMET                    |
| Dielectric:         | Metallized PEN (Stacked) |
| Application:        | General Purpose          |
| Sub Application:    | AEC-Q200                 |
| Style:              | Surface Mount            |
| Chip Size:          | 1206 (3216 metric)       |
| RoHS:               | Yes                      |

| Specifications              |           |
|-----------------------------|-----------|
| Capacitance:                | 1000 pF   |
| Voltage:                    | 250 VDC   |
| Tolerance:                  | +/-10%    |
| Voltage AC:                 | 120 VAC   |
| Rated Temperature:          | 125C      |
| Temperature Range:          | -55/+125C |
| Dissipation Factor @ 1 kHz: | 0.8%      |
| Insulation Resistance:      | 1 GOhm    |
| Maximum dVdT:               | 100 v/us  |