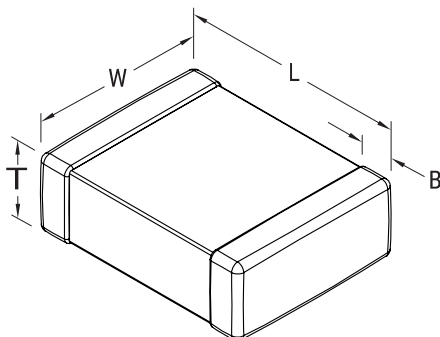


**KEMET Part Number: LDEEE4100KA0N00**  
(DEEE4100KA0N00)

Capacitor, Film, Metallized PEN (Stacked), 1 uF, +/-10% Tol, General Purpose, 100 VDC@125C



| Dimensions (mm) |           |           |
|-----------------|-----------|-----------|
| Symbol          | Dimension | Tolerance |
| L               | 7.3       | +/-0.4    |
| W               | 6.1       | +/-0.4    |
| T               | 5.4       | MAX       |
| B               | 0.5       | +0.5/-0.3 |

| Packaging Specifications |          |
|--------------------------|----------|
| Package Kind:            | T&R      |
| Package Size:            | Standard |
| Package Quantity:        | 1500     |

| General Information |                          |
|---------------------|--------------------------|
| Supplier:           | KEMET                    |
| Dielectric:         | Metallized PEN (Stacked) |
| Application:        | General Purpose          |
| Sub Application:    | AEC-Q200                 |
| Style:              | Surface Mount            |
| Chip Size:          | 2824                     |
| RoHS:               | Yes                      |

| Specifications              |           |
|-----------------------------|-----------|
| Capacitance:                | 1 uF      |
| Voltage:                    | 100 VDC   |
| Tolerance:                  | +/-10%    |
| Voltage AC:                 | 63 VAC    |
| Rated Temperature:          | 125C      |
| Temperature Range:          | -55/+125C |
| Dissipation Factor @ 1 kHz: | 0.8%      |
| Insulation Resistance:      | 400 MOhm  |
| Maximum dVdT:               | 100 v/us  |