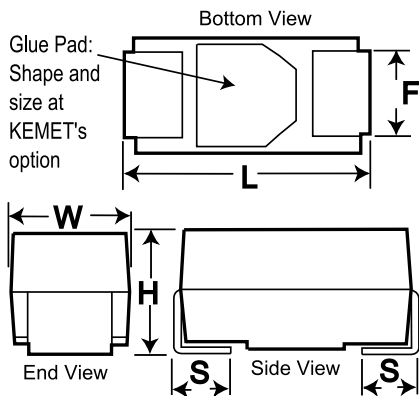


Capacitor, Aluminum, 47 uF, +/-20% Tol, 6.3 VDC@125C



| Dimensions (mm) | | |
|-----------------|-----------|-----------|
| Symbol | Dimension | Tolerance |
| L | 7.3 | +/-0.3 |
| W | 4.3 | +/-0.3 |
| H | 2 | MAX |
| F | 2.4 | +/-0.1 |
| S | 1.3 | +/-0.3 |

Notes:
 -V/7343-20

| General Information | |
|------------------------|--------------------------------|
| Supplier: | KEMET |
| Application: | 125C Polymer |
| Part Type Description: | Surface Mount Polymer Aluminum |
| Termination: | Tin |
| Footprint: | 7343 |
| RoHS: | Yes |

| Specifications | |
|-------------------------|---------------------|
| Capacitance: | 47 uF |
| Voltage: | 6.3 VDC |
| Tolerance: | +/-20% |
| Rated Temperature: | 125C |
| Temperature Range: | -55/+125C |
| Leakage Current: | 11.844 uA |
| Leakage Condition: | uAmps (5min 20C) |
| Dissipation Factor: | 6% |
| Resistance/ESR: | 18 mOhms (100kHz) |
| Current/Ripple Current: | 3900 mAmps (100kHz) |

| Packaging Specifications | |
|--------------------------|-------------|
| Package Kind: | T&R |
| Package Size: | 7 in/180 mm |
| Package Quantity: | 1000 |