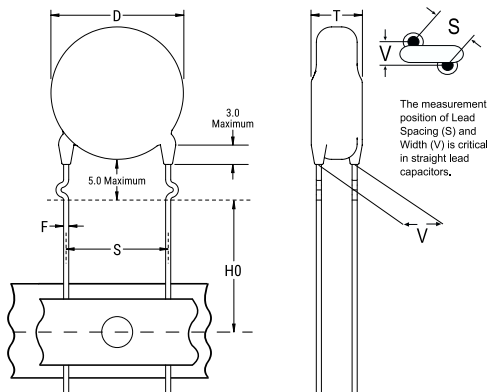


C900AC SFTY X1-400 Y2-250, Ceramic, 4700 pF, 20%, 400 VAC (X1), 250 VAC (Y2), Y5U, Lead Spacing = 10mm



| General Information | |
|---------------------|---------------------------|
| Supplier: | KEMET |
| Series: | C900AC SFTY X1-400 Y2-250 |
| Style: | Radial Disc |
| RoHS: | Yes |
| Termination: | Tin |
| Failure Rate: | N/A |
| Qualifications: | UL, ENEC, VDE, CSA, CAN |
| Halogen Free: | Yes |

| Dimensions | |
|------------|-----------------|
| D | 13mm MAX |
| T | 5mm MAX |
| S | 10mm +/-1mm |
| H0 | 18mm +2/-0mm |
| F | 0.55mm +/-0.1mm |

| Specifications | |
|----------------------------------|----------------------------|
| Capacitance: | 4700 pF |
| Capacitance Tolerance: | 20% |
| Voltage AC: | 400 VAC (X1), 250 VAC (Y2) |
| Dielectric Withstanding Voltage: | 2600 VDC |
| Temperature Range: | -40/+125°C |
| Temperature Coefficient: | Y5U |
| Dissipation Factor: | 2.50% |
| Insulation Resistance: | 10 GOhms |
| Safety Class: | X1/Y2 |

| Packaging Specifications | |
|--------------------------|------|
| Packaging: | Ammo |
| Packaging Quantity: | 500 |

Statements of suitability for certain applications are based on our knowledge of typical operating conditions for such applications, but are not intended to constitute - and we specifically disclaim - any warranty concerning suitability for a specific customer application or use. This Information is intended for use only by customers who have the requisite experience and capability to determine the correct products for their application. Any technical advice inferred from this Information or otherwise provided by us with reference to the use of our products is given gratis, and we assume no obligation or liability for the advice given or results obtained.