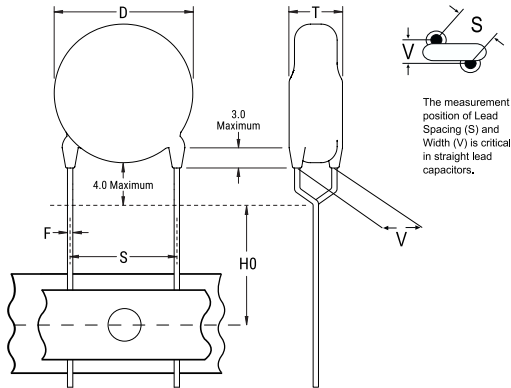


C900AH SFTY X1-400 Y1-250, Ceramic, 3900 pF, 20%, 400 VAC (X1), 250 VAC (Y1), Y5U, Lead Spacing = 10mm



| General Information | |
|---------------------|---------------------------|
| Supplier: | KEMET |
| Series: | C900AH SFTY X1-400 Y1-250 |
| Style: | Radial Disc |
| RoHS: | Yes |
| Termination: | Tin |
| Failure Rate: | N/A |
| Qualifications: | UL, ENEC, VDE, CSA, CAN |
| Halogen Free: | Yes |

| Dimensions | |
|------------|-----------------|
| D | 13mm MAX |
| T | 5mm MAX |
| S | 10mm +/-1mm |
| H0 | 18mm +2/-0mm |
| F | 0.55mm +/-0.1mm |

| Specifications | |
|----------------------------------|----------------------------|
| Capacitance: | 3900 pF |
| Capacitance Tolerance: | 20% |
| Voltage AC: | 400 VAC (X1), 250 VAC (Y1) |
| Dielectric Withstanding Voltage: | 4000 VDC |
| Temperature Range: | -40/+125°C |
| Temperature Coefficient: | Y5U |
| Dissipation Factor: | 2.50% |
| Insulation Resistance: | 10 GOhms |
| Safety Class: | X1/Y1 |

| Packaging Specifications | |
|--------------------------|------|
| Packaging: | Ammo |
| Packaging Quantity: | 500 |