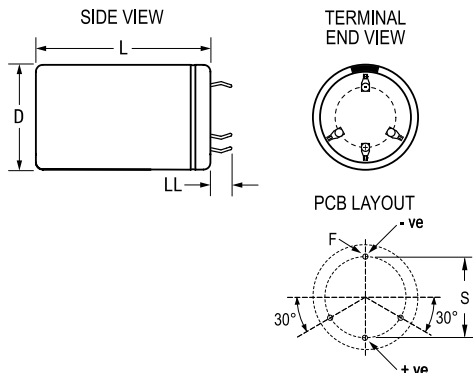


KEMET Part Number: ALC80C152FP450
(A547JW152M450C)

ALC80, Aluminum Electrolytic, 1,500 uF, 20%, 450 VDC, -40/+105°C



Dimensions	
D	45mm +1mm
L	105mm +/-2mm
S	22.5mm +/-0.1mm
LL	6.3mm +/-1mm
F	2mm +/-0.1mm

Packaging Specifications	
Weight:	225 g
Packaging:	Bulk, Bag

General Information	
Series:	ALC80
Dielectric:	Aluminum Electrolytic
Description:	Snap-In, Aluminum Electrolytic
RoHS:	Yes
Lead:	4 Pin
AEC-Q200:	No
Shelf Life:	156 Weeks

Specifications	
Capacitance:	1,500 uF
Capacitance Tolerance:	20%
Voltage DC:	450 VDC, 495 VDC (Surge)
Temperature Range:	-40/+105°C
Rated Temperature:	105°C
Life:	9000 Hrs (Rated Voltage And Ripple Current At 105C), 14000 Hrs (Rated Voltage at 105C)
Resistance:	109 mOhms (100Hz 20C), 70 mOhms (10kHz 20C)
Ripple Current:	6.25 Amps (100Hz 105C), 14.04 Amps (10kHz 105C)
Leakage Current:	2025 uA (5min 20°C)