

Art. No. 5414

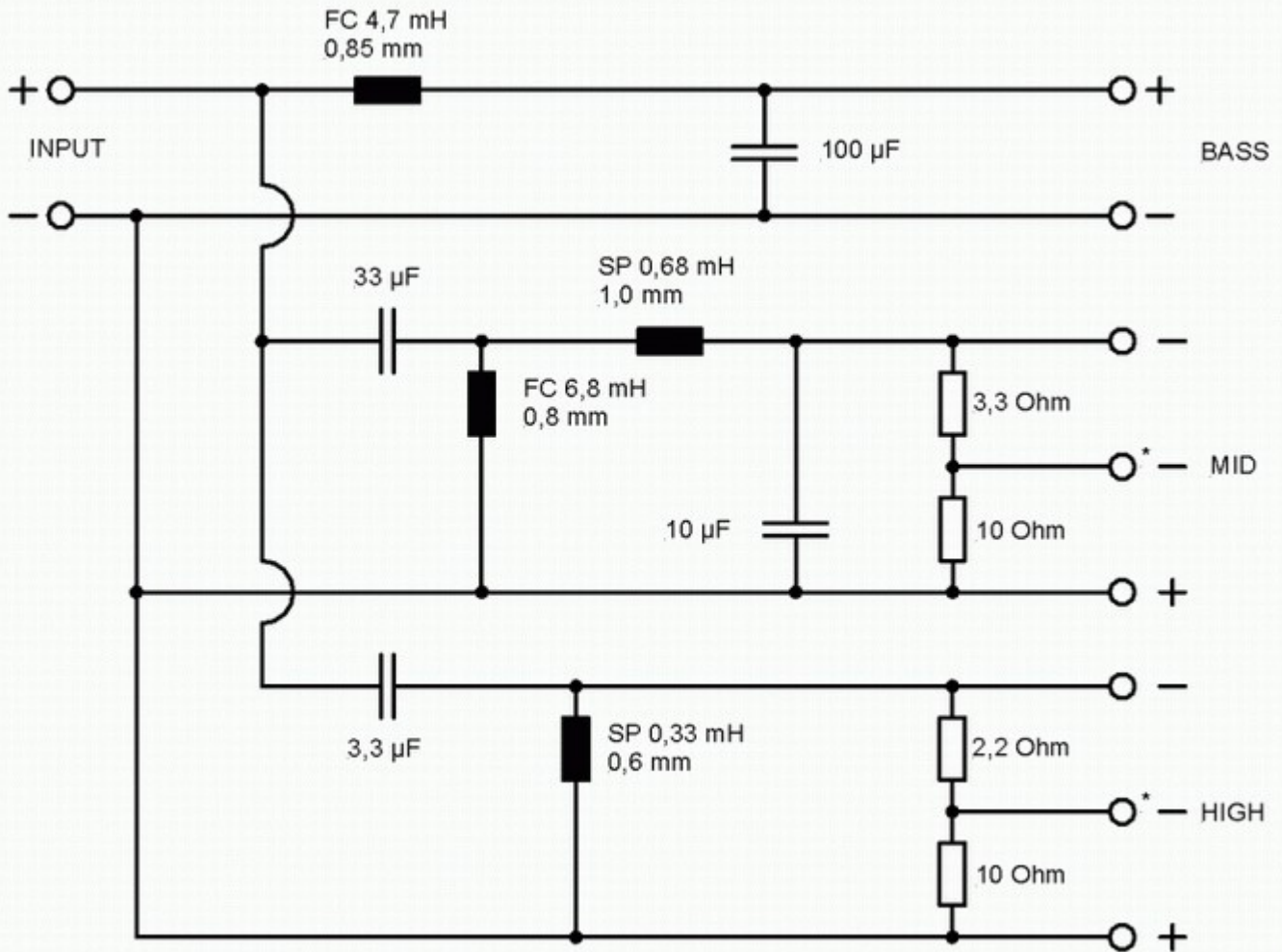
Crossover made of high-grade copper coils, MKT foil capacitors and low-loss audio **frequency electrolytic capacitors**, mounted on epoxy PC boards. Checked with regard to functioning, slope steepness and cross-over **frequency**.

Technical Data

Rated power	120 W
Maximum power	180 W
Nominal impedance Z	8 Ohm
Skirt selectivity	12 dB / Okt.
Turn-over frequency	300 / 4000 Hz
Dimensions	155 x 180 mm

HW 3/130 NG - 8 Ohm

HW 3/130 NG - 8 Ohm (300 / 4000 Hz) - 05.12.2008



* alternativer Anschluss für Pegelabsenkung um -3 dB
(alternative connection for SPL lowering -3 dB)