

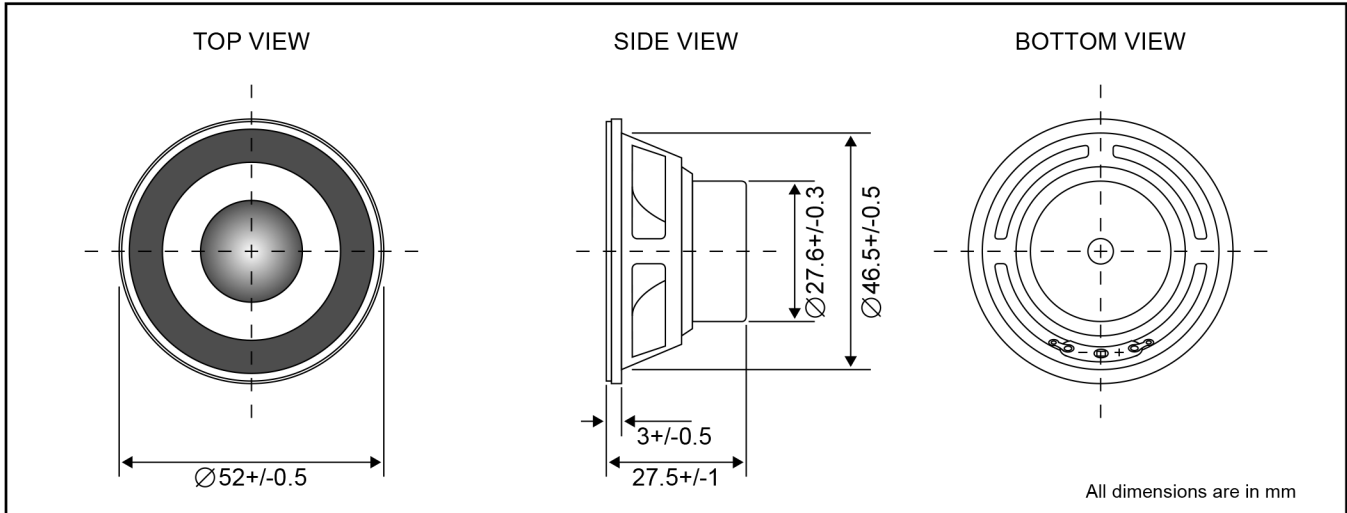
Loud Speaker

LSI52 Series

DIMENSIONS



Date : 18 May, 2015



Ref. no. : CX288-R

Remark : Aluminium cone with PU edge



ELECTRICAL SPECIFICATIONS

Model No.	LD-SP-5208
Diameter	52 +/- 0.5 mm
Height	27.5 +/- 1.0 mm
Back Dia.	27.6 +/- 0.3 mm
Output S.P.L.	84 +/- 3 dB [At 1.0W/0.5m ave. 0.8K, 1.0K, 1.2K, 1.5K Hz]
Impedance	8 ohm +/- 15%
Resonant Freq. [Fo]	160 Hz +/- 20%
Freq. Response	Fo ~ 15K Hz
Rated Input Power	3.0 W
Max. Input Power	5.0 W
Buzzer & Rattles	Must Be Normal [Sine Wave 4.8 V, Fo ~ 20K Hz]
Load Test	Must Be Normal [White Noise 3.0 W, 48 Hours]
Heat Test	Must Be Normal [85 +/- 3 °C, 96 Hours]
Cold Test	Must Be Normal [-40 +/- 3 °C, 96 Hours]
Humidity Test	40 +/- 3 °C, 92 ~ 95% R.H 96 Hours
Case Material	Metal
Magnet	Internal Magnet
Operating Temperature	-30 ~ +70 °C
Weight	31.4 g