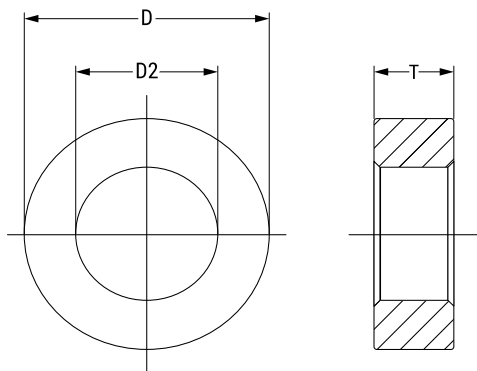


**KEMET Part Number: ESD-R-47SRH**  
(UECESDR47SRH00)

KEMET, ESD-R-SR, EMI Cores, Noise Suppression



**Dimensions**

<b>D</b>	51mm MAX
<b>D2</b>	24.4mm +/-1mm
<b>T</b>	19mm MAX

**Packaging Specifications**

<b>Packaging:</b>	Tray, Box
<b>Packaging Quantity:</b>	100
<b>Weight:</b>	92 g

**General Information**

<b>Series:</b>	ESD-R-SR
<b>Style:</b>	Round - Toroidal
<b>Cable Type:</b>	Round Cable
<b>Description:</b>	EMI Core Solid, Large-Size Ring Type, For Round Cables, Case Type
<b>Features:</b>	High Impedance, Effectively Suppresses Radiation at 150 kHz, Low Frequency Noise
<b>RoHS:</b>	Yes
<b>Qualifications:</b>	UL94 V-2
<b>Case Color:</b>	White with blue tape
<b>Materials:</b>	Mn-Zn

**Specifications**

<b>Temperature Range:</b>	-25/+85°C
<b>Effective Frequency:</b>	10 MHz (AM Band Range)