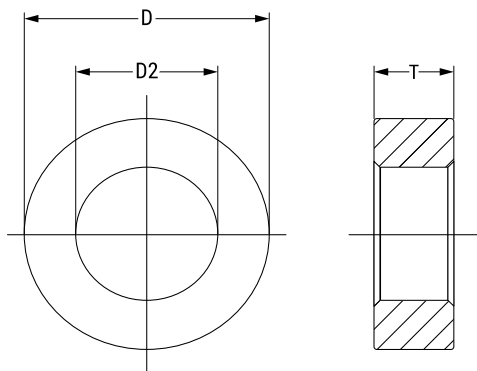


KEMET Part Number: ESD-R-38SR
(UECESDR38SR000)

KEMET, ESD-R-SR, EMI Cores, Noise Suppression



General Information	
Series:	ESD-R-SR
Style:	Round - Toroidal
Cable Type:	Round Cable
Description:	EMI Core Solid, Large-Size Ring Type, For Round Cables
Features:	High Impedance, Effectively Suppresses Radiation at 150 kHz, Low Frequency Noise
RoHS:	Yes
Qualifications:	UL94 V-2
Materials:	Mn-Zn

Dimensions	
D	38mm MAX
D2	19mm +/-0.8mm
T	12.7mm +/-0.5mm

Specifications	
Temperature Range:	-25/+85°C
Effective Frequency:	10 MHz (AM Band Range)

Packaging Specifications	
Packaging:	Tray, Box
Packaging Quantity:	200
Weight:	52.5 g