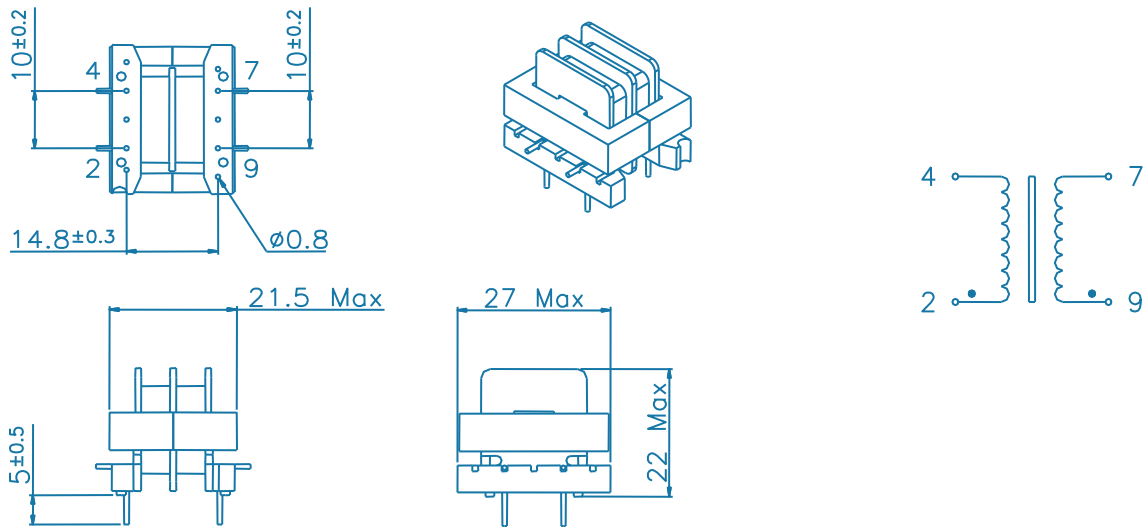


Type <b>HORIZONTAL</b>	Size <b>E25</b>	Current <b>0.90 to 4.0 A</b>	MYRRA P/N <b>74320 to 74325</b>
---------------------------	--------------------	---------------------------------	------------------------------------

Product designation

## COMMON MODE CHOKE - E25

### MECHANICAL CHARACTERISTICS - PINOUT



PCB recommended drilling diameter : 1.1 mm

### ELECTRICAL CHARACTERISTICS

At 25 °C

MYRRA P/N	Common mode inductance (min. - max.)	Rated current	Resistance (per winding)	Differential mode inductance (min.)	Resonance frequency (min.)
74320	22 ~ 37 mH	0.90 A <sub>rms</sub>	0.54 Ω max.	130 μH	170 kHz
74321	15 ~ 25 mH	1.1 A <sub>rms</sub>	0.35 Ω max.	90 μH	210 kHz
74322	10 ~ 17 mH	1.3 A <sub>rms</sub>	0.22 Ω max.	50 μH	270 kHz
74323	4.7 ~ 8.0 mH	1.8 A <sub>rms</sub>	0.10 Ω max.	25 μH	400 kHz
74324	2.2 ~ 3.7 mH	2.7 A <sub>rms</sub>	0.05 Ω max.	11 μH	630 kHz
74325	1.0 ~ 1.7 mH	4.0 A <sub>rms</sub>	0.03 Ω max.	7 μH	950 kHz

### REMARKS

- RoHS compliant
- UL94 V-0 materials
- Class B
- Ambient temperature: 50 °C max.
- 1.5 kV hi-pot between windings