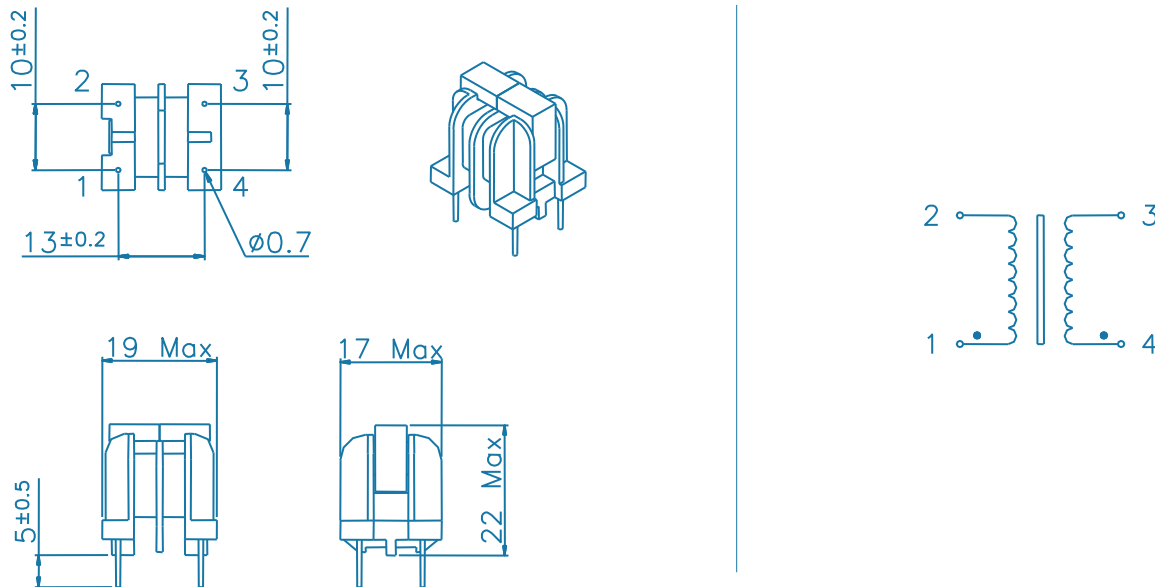


Type VERTICAL	Size U10.5	Current 0.10 to 4.0 A	MYRRA P/N 74300 to 74306
-------------------------	----------------------	---------------------------------	------------------------------------

Product designation

COMMON MODE CHOKE - U10.5

MECHANICAL CHARACTERISTICS - PINOUT



PCB recommended drilling diameter : 1.1 mm

ELECTRICAL CHARACTERISTICS

At 25 °C

MYRRA P/N	Common mode inductance (min. - max.)	Rated current	Resistance (per winding)	Differential mode inductance (min.)	Resonance frequency (min.)
74306	51 ~ 85 mH	0.30 A _{rms}	4.0 Ω max.	530 μH	125 kHz
74300	33 ~ 56 mH	0.35 A _{rms}	3.0 Ω max.	400 μH	170 kHz
74301	18 ~ 31 mH	0.45 A _{rms}	1.7 Ω max.	240 μH	220 kHz
74302	10 ~ 17 mH	0.6 A _{rms}	1.0 Ω max.	140 μH	320 kHz
74303	4.7 ~ 8.0 mH	0.9 A _{rms}	0.43 Ω max.	65 μH	480 kHz
74304	2.2 ~ 3.7 mH	1.3 A _{rms}	0.23 Ω max.	32 μH	740 kHz
74305	1.0 ~ 1.7 mH	1.9 A _{rms}	0.10 Ω max.	14 μH	1000 kHz

REMARKS

- RoHS compliant
- UL94 V-0 materials
- Class B
- Ambient temperature: 50 °C max.
- 1.5 kV hi-pot between windings