

# muRata Inductor Data Sheet

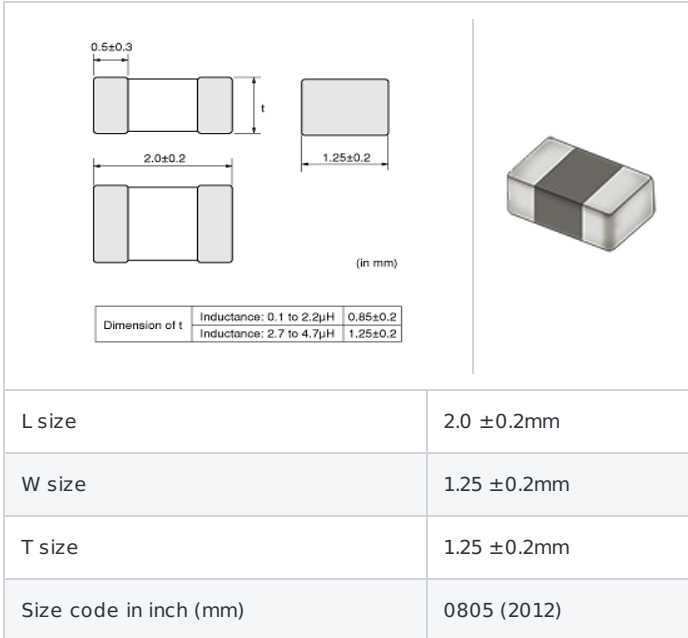
## LQM21NN4R7K10#

"#" indicates a package specification code.



< List of part numbers with package codes >  
 LQM21NN4R7K10L , LQM21NN4R7K10K , LQM21NN4R7K10B

### Shape



### References

Packaging code	Specifications	Minimum quantity
L	φ 180mm Embossed taping	3000
K	φ 330mm Embossed taping	10000
B	Packing in bulk	1000

Mass (Typ.)	
1 piece	0.014g

### Specifications

Inductance	4.7μH ±10%
Inductance test frequency	10MHz
Rated current (Isat) (Based on Inductance change)	30mA
Rated current (Itemp) (Based on Temperature rise)	30mA
Max. of DC resistance	1.00Ω
Q (min.)	45
Q test frequency	10MHz
Self resonance frequency (min.)	47MHz
Operating temperature range (Self-temperature rise is not included)	-40~85°C
Class of magnetic shield	Magnetic shield of ferrite

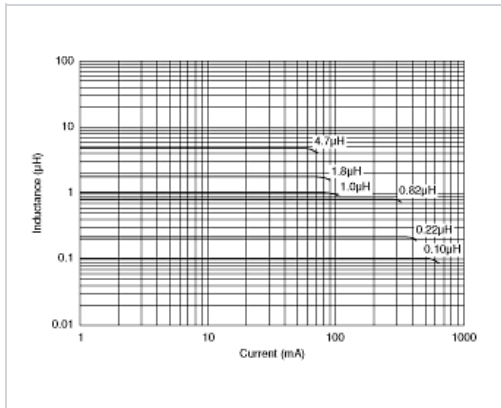
1 of 2

### Attention

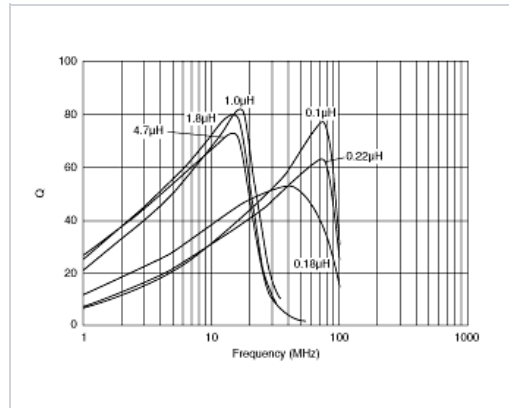
- 1.This datasheet is downloaded from the website of Murata Manufacturing Co., Ltd. Therefore, it's specifications are subject to change or our products in it may be discontinued without advance notice. Please check with our sales representatives or product engineers before ordering.
- 2.This datasheet has only typical specifications because there is no space for detailed specifications. Therefore, please review our product specifications or consult the approval sheet for product specifications before ordering.

**Chart of characteristic data (The charts below may show another part number which shares its characteristics.)**

▪ Inductance-Current characteristics (Typ.)



▪ Q-Frequency characteristics (Typ.)



**⚠ Attention**

1. This datasheet is downloaded from the website of Murata Manufacturing Co., Ltd. Therefore, its specifications are subject to change or our products in it may be discontinued without advance notice. Please check with our sales representatives or product engineers before ordering.
2. This datasheet has only typical specifications because there is no space for detailed specifications. Therefore, please review our product specifications or consult the approval sheet for product specifications before ordering.