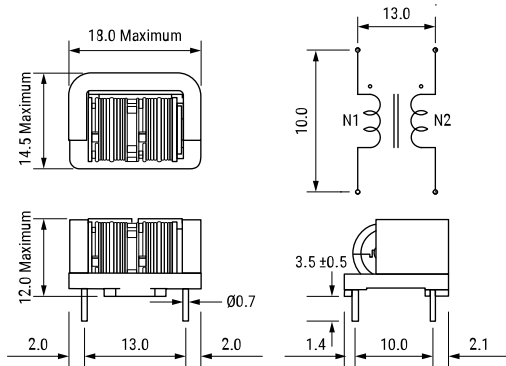


KEMET, SSRH7H-M, Commercial Grade, 6400 uH



#### Dimensions

<b>L</b>	18mm MAX
<b>T</b>	14.5mm MAX
<b>H</b>	12mm MAX
<b>S</b>	10mm NOM
<b>S1</b>	13mm NOM
<b>LL</b>	3.5mm +/-0.5mm
<b>F</b>	0.7mm NOM

#### Packaging Specifications

<b>Weight:</b>	5.2 g
<b>Packaging:</b>	Tray
<b>Packaging Quantity:</b>	600

#### General Information

<b>Series:</b>	SSRH7H-M
<b>Style:</b>	Through-Hole Choke
<b>Description:</b>	Common Mode Filter, SSRH Coils, SSRH7H-M series High Impedance Type
<b>RoHS:</b>	Yes
<b>Miscellaneous:</b>	Temperature Rise Maximum: 55 K
<b>Notes:</b>	M13 Lot No.

#### Specifications

<b>Inductance:</b>	6.4 mH (10 kHz)
<b>Temperature Range:</b>	-25/+120C
<b>Rated Temperature:</b>	120C
<b>Current:</b>	1.3 Amps
<b>Voltage AC:</b>	250 VAC
<b>Withstanding Voltage:</b>	2400 VAC MAX
<b>Insulation Resistance:</b>	100 MOhms