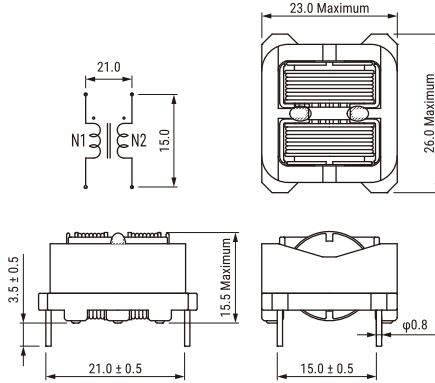


KEMET, SSHB21HS, Commercial Grade, 0.013 H



| Dimensions | |
|------------|----------------|
| L | 26mm MAX |
| T | 23mm MAX |
| H | 15.5mm MAX |
| S | 15mm +/-0.5mm |
| S1 | 21mm NOM |
| LL | 3.5mm +/-0.5mm |
| F | 0.8mm NOM |

| Packaging Specifications | |
|--------------------------|------|
| Weight: | 14 g |
| Packaging: | Tray |
| Packaging Quantity: | 360 |

| General Information | |
|---------------------|---|
| Series: | SSHB21HS |
| Style: | Through-Hole Choke |
| Description: | Common Mode Filter, SS Coils, SSHB21HS, Wide Range Impedance Type |
| RoHS: | Yes |
| Miscellaneous: | Temperature Rise Maximum: 65 K |
| Notes: | Marking: R15 Lot No. |

| Specifications | |
|------------------------|----------------|
| Inductance: | 13 mH (10 kHz) |
| Temperature Range: | -25/+120C |
| Rated Temperature: | 120C |
| Current: | 1.5 Amps |
| Voltage AC: | 250 VAC |
| Withstanding Voltage: | 2400 VAC MAX |
| Insulation Resistance: | 100 MOhms |