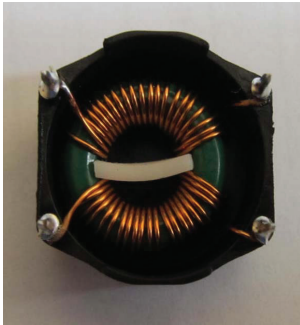


DTS-16/2,2/2,0-CH

INFORMATIONS:

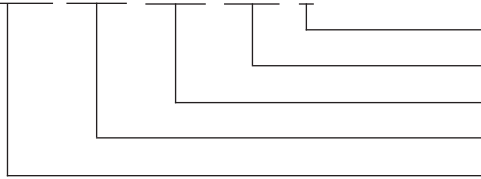
Core: Toroid Ø16 / Ø9 / H5,5 µi 6000 Ferrite Material
 Wire: Ø0,5 Grade 2 Class F
 Rated Current Per Winding: 2A referred to 250V - 50Hz and +60° C ambient temperature
 Rated Inductance Per Winding Value : 2.2mH +50 -30% at 10kHz ; 0.1mA
 DC Resistance Per Winding (Typical) : 36mΩ
 Test Voltage Between Windings: 1500VAC - 50Hz
 Climatic Category : DIN GKC (-40 to +125° C; humidity cat. C)

IMAGES:



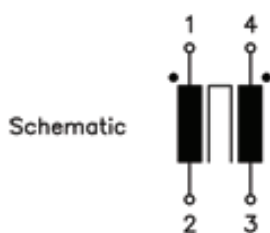
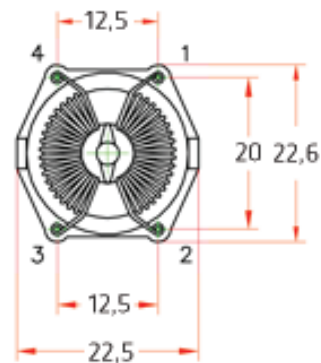
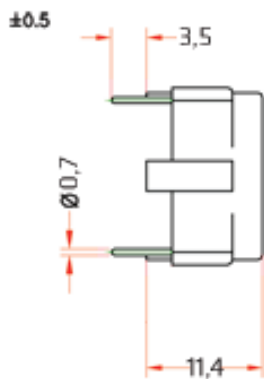
ORDERING CODE:

DTS - 16 / 2,2 / 2,0-CH



mounting: V - vertical, HX, HY, HZ - horizontal, BV - base vertical, CH - Case Horizontal
 rated current in Amps
 inductance in mH@ $I_{DC} = 0A$
 core outer diameter
 product symbol

DIMENSIONS:



Viewed On Component Side

