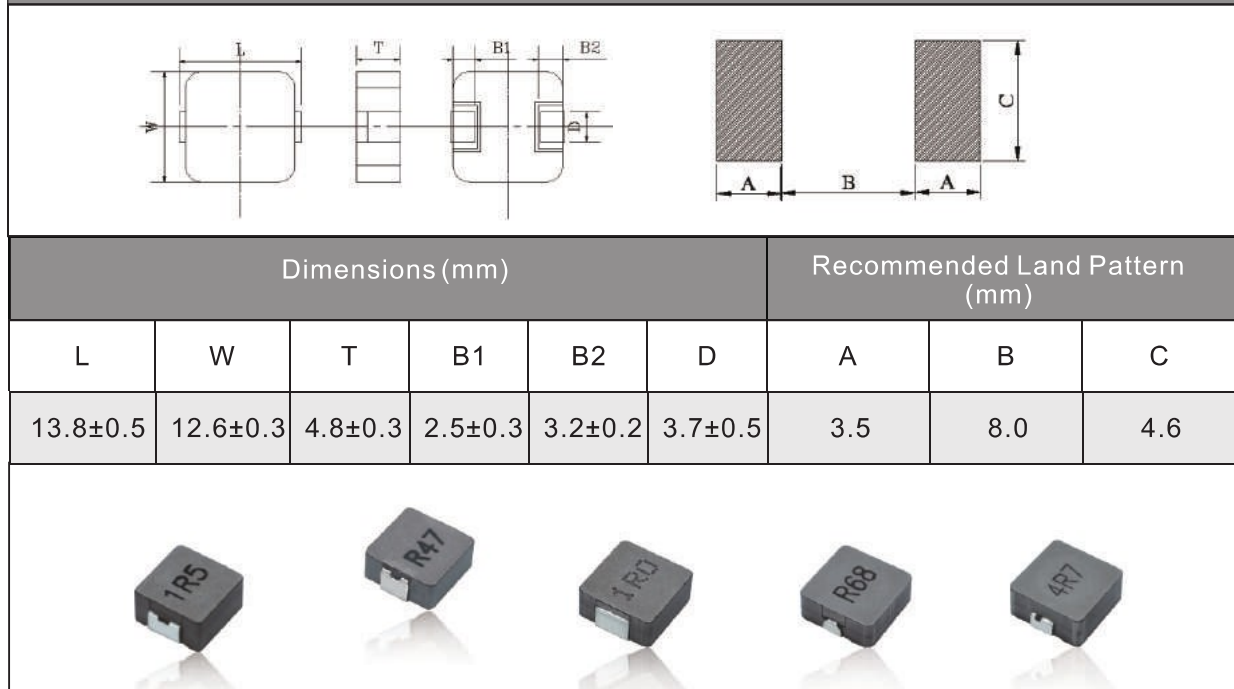


### HIGH POWER INDUCTOR

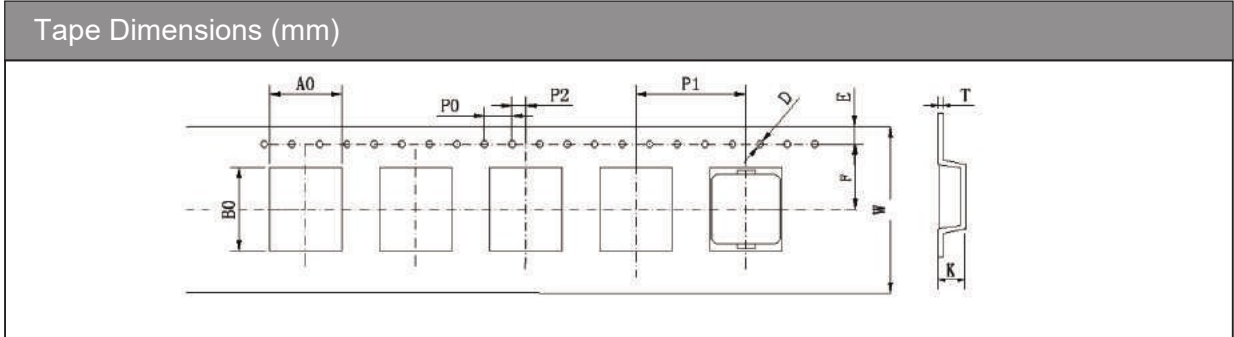
Figures and Dimensions



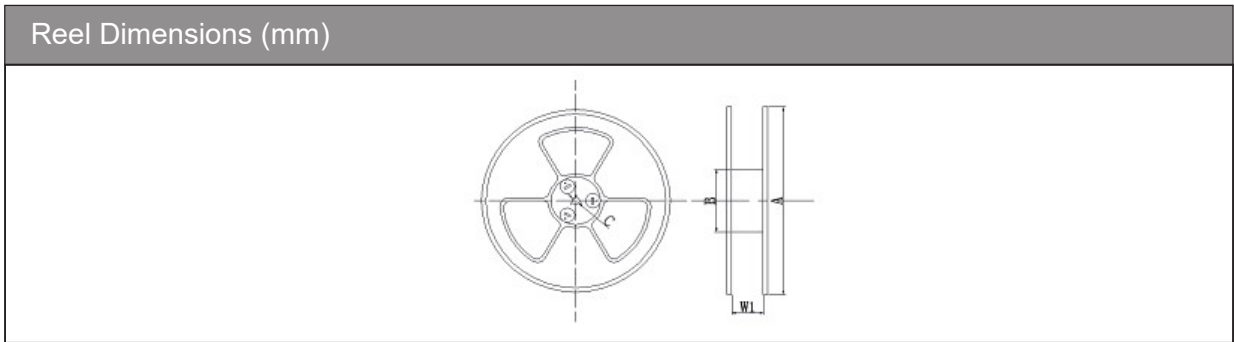
### Electrical Characteristics

产品型号 Part Number	电感量 Inductance ( $\mu\text{H}$ )@0A	容许容差 Tolerance	直流电阻 Resistance ( $\text{m}\Omega$ ) $\pm 7\%$	饱和电流 Saturation Current Typ.(A)	温升电流 Heat Rating Current Typ.(A)
HPI1260-R44	0.44	$\pm 20\%$	0.8	40.0	38.0
HPI1260-R68	0.68	$\pm 20\%$	1.25	38.0	32.0
HPI1260-1R0	1.00	$\pm 20\%$	1.75	25.0	24.0
HPI1260-1R5	1.50	$\pm 20\%$	2.45	21.0	18.0
HPI1260-2R2	2.20	$\pm 20\%$	3.4	18.0	16.0
HPI1260-3R3	3.30	$\pm 20\%$	7.0	15.0	14.0
HPI1260-4R7	4.70	$\pm 20\%$	8.5	13.0	12.0
HPI1260-5R6	5.60	$\pm 20\%$	10.0	12.0	10.0
HPI1260-6R8	6.80	$\pm 20\%$	12.0	11.0	9.0
HPI1260-8R0	8.00	$\pm 20\%$	14.0	9.5	8.0
HPI1260-100	10.0	$\pm 20\%$	17.5	8.0	7.5
HPI1260-120	12.0	$\pm 20\%$	23.0	8.0	6.0
HPI1260-150	15.0	$\pm 20\%$	30.0	7.5	6.0
HPI1260-220	22.0	$\pm 20\%$	38.0	6.0	5.0
HPI1260-330	33.0	$\pm 20\%$	53.0	5.0	4.0
HPI1260-470	47.0	$\pm 20\%$	82.0	4.3	3.5
HPI1260-680	68.0	$\pm 20\%$	120.0	3.5	3.0
HPI1260-101	100.0	$\pm 20\%$	185.0	3.0	2.5
HPI1260-121	120.0	$\pm 20\%$	220.0	2.5	2.0
HPI1260-151	150.0	$\pm 20\%$	340.0	2.3	2.0

## Package



	A0	B0	W	F	E	P1	P2	P0	D	T	K
12 Series	±0.1	±0.1	±0.3	±0.1	±0.1	±0.1	±0.1	±0.1	±0.05	±0.05	±0.1
	13.0	14.0	24	11.5	1.75	16	2.0	4.0	1.5	0.4	H+0.2



	A	B	C	W1	Quality(pcs/Reel)
12 Series	330	100	13.0	24.0	500