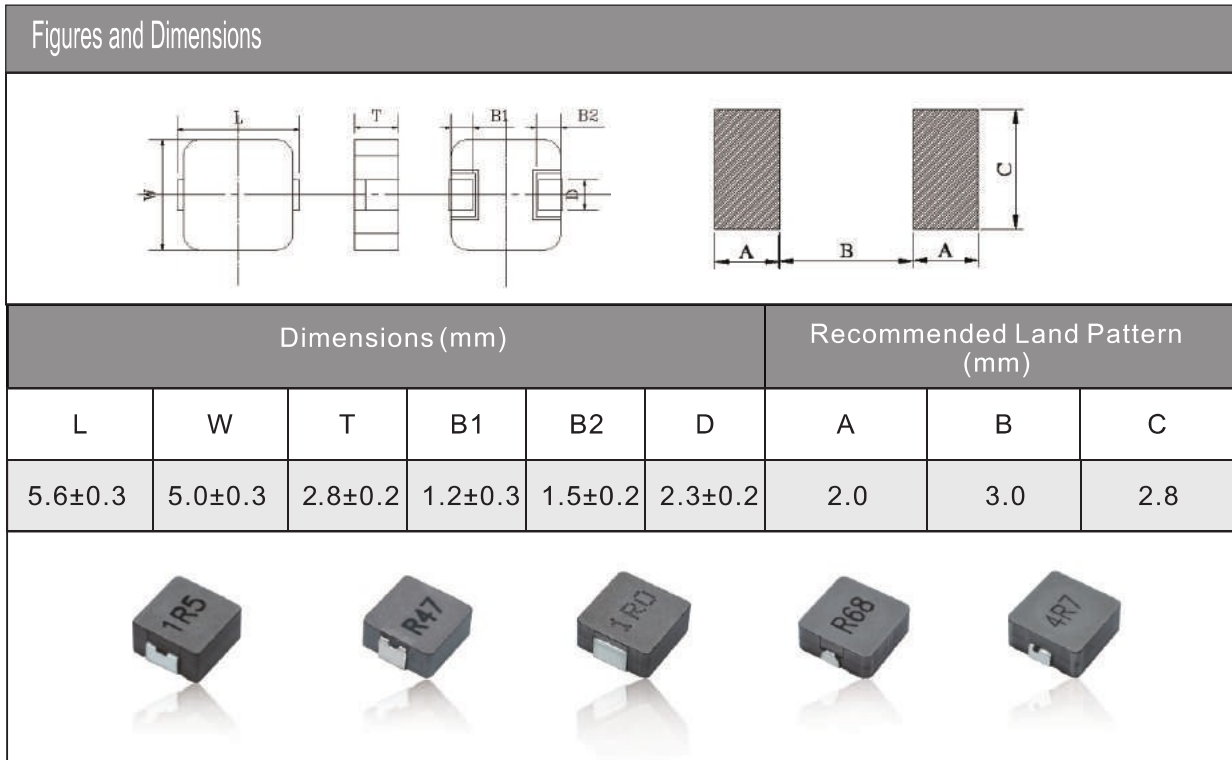


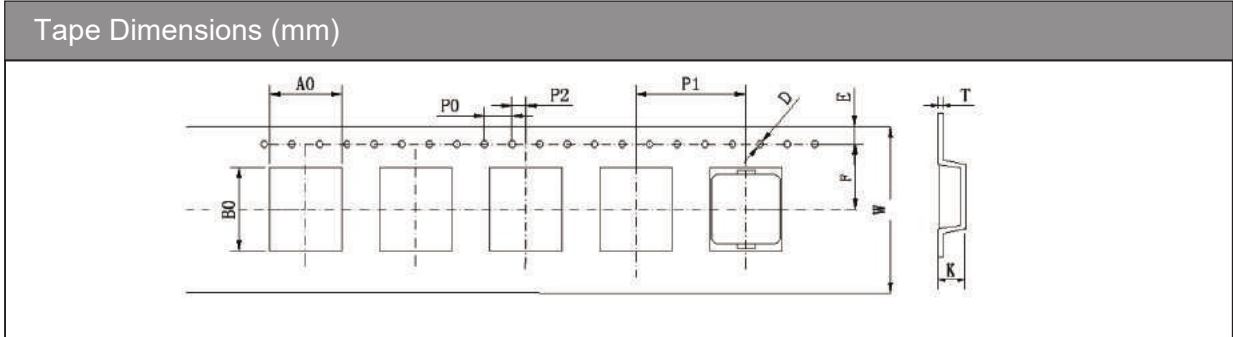
## HIGH POWER INDUCTOR



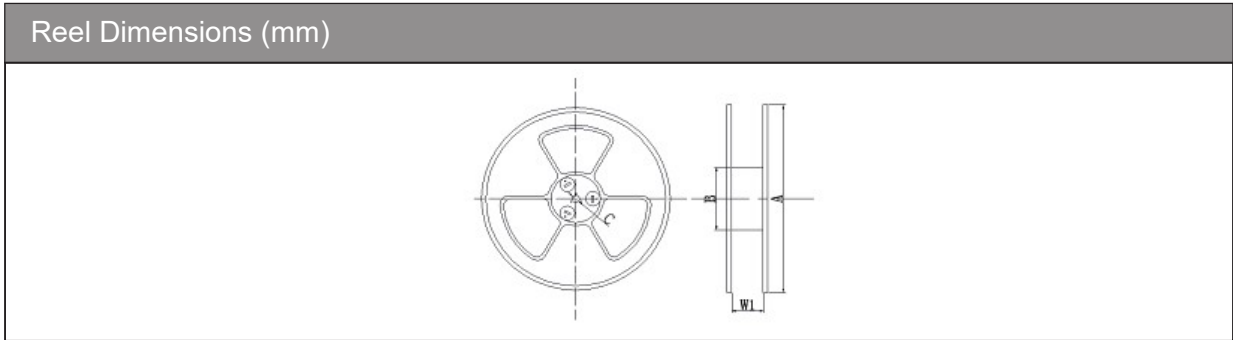
### Electrical Characteristics

Part number	Inductance (μH)@0A	Tolerance	Resistance (mΩ) ±7%	Saturation current Typ.(A)	Heat rating current Typ.(A)
HPI0530-1R0	1.00	±20%	10.0	7.5	7.0
HPI0530-1R5	1.50	±20%	16.5	6.5	6.0
HPI0530-2R2	2.20	±20%	24.0	6.0	5.5
HPI0530-3R3	3.30	±20%	34.0	4.8	4.5
HPI0530-4R7	4.70	±20%	55.0	3.5	3.2
HPI0530-100	10.0	±20%	107.0	2.4	2.1

### Package



	A0	B0	W	F	E	P1	P2	P0	D	T	K
05 Series	±0.1	±0.1	±0.3	±0.1	±0.1	±0.1	±0.1	±0.1	±0.05	±0.05	±0.1
	5.5	6.1	12	5.5	1.75	8	2.0	4.0	1.5	0.3	H+0.2



	A	B	C	W1	Quality(pcs/Reel)
05 Series	330	100	13.0	12.0	2000