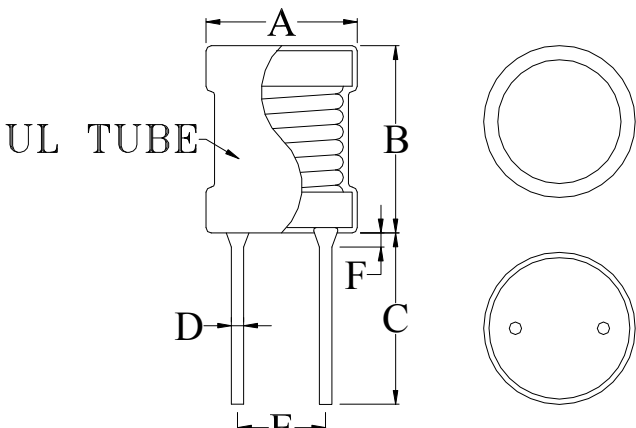


|           |   |          |              |
|-----------|---|----------|--------------|
| COMMODITY | PK CHOKE  | SPEC NO. | SP-060824101 |
| ITEM      | COIL0608-0.22 <span style="border: 1px solid black; padding: 2px;">Green</span> |          |              |

| (1) DIMENSION: (UNIT: mm)   |   | DIM. | TOL.  |
|---|---|------|-------|
|  | A | 7.5  | MAX.  |
|   | B | 9.5  | MAX.  |
|   | C | 16   | MIN.  |
|   | D | 0.65 | ±0.05 |
|   | E | 3.0  | ±0.5  |
|   | F | 3.0  | MAX.  |
|   | G |      |       |
|   | H |      |       |
|   | I |      |       |
|   | J |      |       |

| (2) ELECTRICAL CHARACTERISTIC |                      | TEST INSTRUMENTS.  |
|-------------------------------|----------------------|--|
| INDUCTANCE                    | 220 ± 10% $\mu$ H    | <input checked="" type="checkbox"/> AGILENT 4294A Precision Impedance Analyzer.<br><input type="checkbox"/> AGILENT 4285A Precision L.C.R. Meter.<br><input type="checkbox"/> HP-4286A RF L.C.R. Meter.          |
| TEST FREQUENCY                | 1 KHz                | <input type="checkbox"/> ZENTECH 3302 Automatic Components Analyzer.<br><input type="checkbox"/> ZENTECH 101 L.C.R. Meter.   |
| TEST VOLT                     | 0.25 V               | <input type="checkbox"/> WAYNE KERR 6420 Precision Impedance Analyzer.<br><input checked="" type="checkbox"/> ZENTECH 1320 BIAS CURRENT.<br><input checked="" type="checkbox"/> ZENTECH 502AC Resistance Merter. |
| RDC                           | 870 (max) m $\Omega$ | <input type="checkbox"/> ADEX AX-1155B DC Low Ohm Meter.   |
| Isat *1                       | 0.7 (max) A          |  |
| Irms *2                       | 0.6 (max) A          |  |
|                               |                      |  |

**REMARK :**  
 1. Inductance drop = 10% typ at IDC.