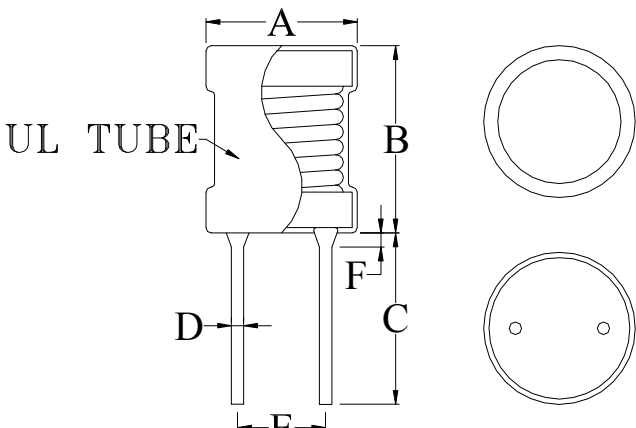


| | | | |
|-----------|--|----------|--------------|
| COMMODITY | PK CHOKE | SPEC NO. | SP-071116064 |
| ITEM | COIL0608-0.022 Green | | |

| (1) DIMENSION: (UNIT: mm) | | DIM. | TOL. |
|---|---|------|-------|
|  | A | 7.5 | MAX. |
| | B | 9.5 | MAX. |
| | C | 16 | MIN. |
| | D | 0.65 | ±0.05 |
| | E | 3.0 | ±0.5 |
| | F | 3.0 | MAX. |
| | G | | |
| | H | | |
| | I | | |
| | J | | |

| (2) ELECTRICAL CHARACTERISTIC | | | TEST INSTRUMENTS. |
|-------------------------------|-------------|-----|---|
| INDUCTANCE | 22 ± 10% | μH | <input checked="" type="checkbox"/> AGILENT 4294A Precision Impedance Analyzer. <input type="checkbox"/> AGILENT 4285A Precision L.C.R. Meter. <input type="checkbox"/> HP-4286A RF L.C.R. Meter. |
| TEST FREQUENCY | 1 | KHz | <input type="checkbox"/> ZENTECH 3302 Automatic Components Analyzer. <input type="checkbox"/> ZENTECH 101 L.C.R. Meter. |
| TEST VOLT | 0.25 | V | <input checked="" type="checkbox"/> WAYNE KERR 6420 Precision Impedance Analyzer. <input checked="" type="checkbox"/> ZENTECH 1320 BIAS CURRENT. |
| RDC | 122.1 (max) | mΩ | <input checked="" type="checkbox"/> ZENTECH 502AC Resistance Merter. <input type="checkbox"/> ADEX AX-1155B DC Low Ohm Meter. |
| Isat *1 | 1.9 (max) | A | |
| Irms *2 | 2.0 (max) | A | |

REMARK :
 1. Inductance drop = 10% typ at IDC.