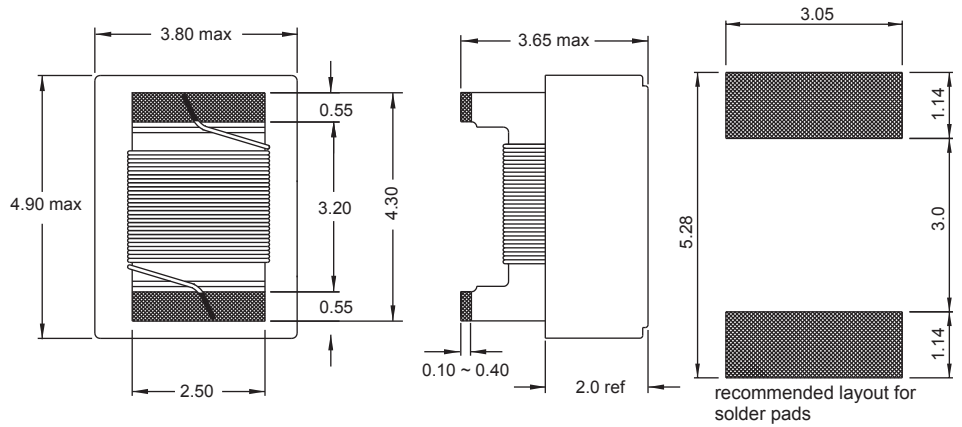
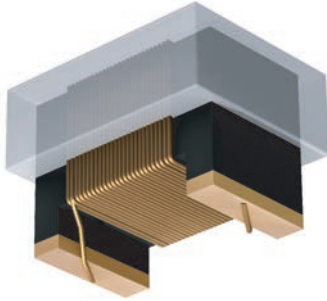
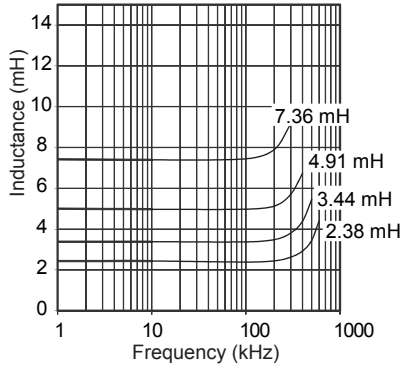


1812 AFTC

Small Package
Transponder Coil



Typical Ls vs Frequency (f)



Part No	Inductance L (mH)	f _L (kHz)	Tol ± (%)	Q typ	f _Q (kHz)	SRF min (kHz)	DCR max (Ω)	Sensitivity mV/μT
1812AFTC-401K-YY	0.40	125	10	18	125	1800	12.4	7
1812AFTC-102K-YY	1.00	125	10	13	125	1300	48	18
1812AFTC-242K-YY	2.38	125	10	19	125	650	75	40
1812AFTC-292K-YY	2.89	125	10	19	125	620	80	40
1812AFTC-342K-YY	3.44	125	10	19	125	600	90	45
1812AFTC-412K-YY	4.15	125	10	19	125	600	120	54
1812AFTC-492K-YY	4.91	125	10	18	125	560	155	65
1812AFTC-602K-YY	6.00	125	10	18	125	530	170	81
1812AFTC-722K-YY	7.20	125	10	16	125	470	250	103
1812AFTC-742K-YY	7.36	125	10	16	125	470	250	103

Core Material : Ceramic & Ferrite

Revision date : 11 Aug 2014

SPQ : Taped / Reel 600 [-01]
2200 [-04]

Remarks: 2% and 5% tolerance available on request.

Typical Q vs Frequency (f)

