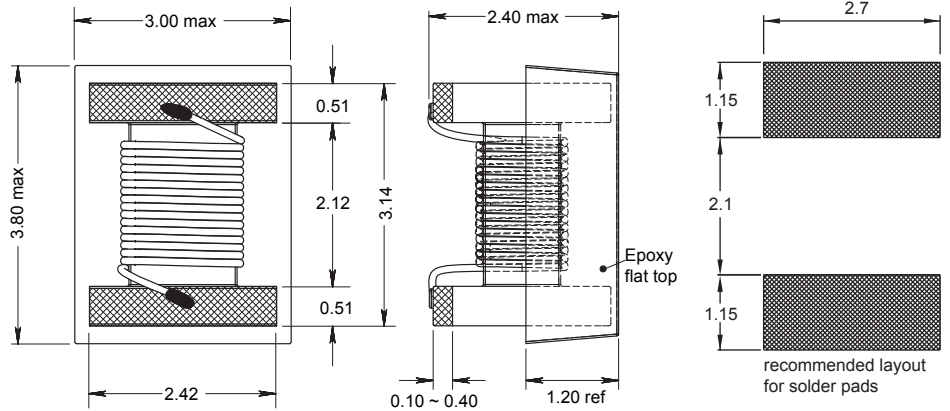
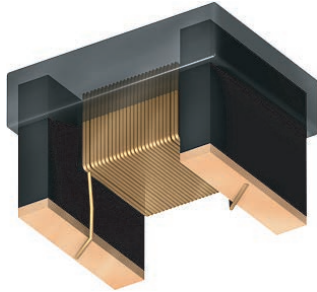


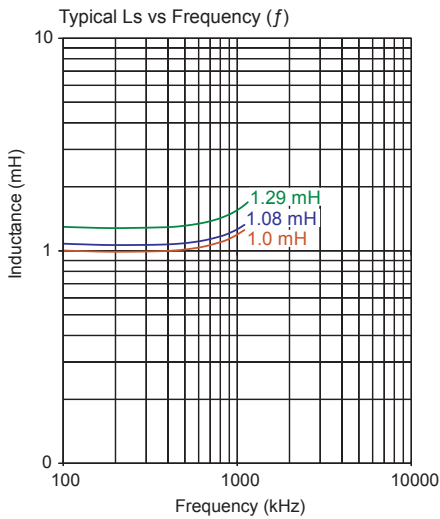


1210 FTC

Mini Size
Transponder Coil



Transponder Coils (for RFID)



Part No	Inductance L (mH)	f _L (kHz)	Tol ± (%)	Q min	f _Q (kHz)	SRF typ (MHz)	DCR max (Ω)	Sensitivity mV/μT
1210FTC-102K-YY	1.00	125	10	8	125	1.7	32.0	10
1210FTC-112K-YY	1.08	125	10	8	125	1.7	42.0	12
1210FTC-132K-YY	1.29	125	10	8	125	1.7	46.5	12

Core Material : Ferrite

Revision date : 10 May 2017

SPQ : Taped / Reel 800 [-01]
3000 [-04]

Remarks: - For not listed inductance values please check availability with us.
- 5% tolerance available on request.

