



LED driver 3x350mA/48V

Product description

Driver LED 3 x 350 mA driver with built-in DMX512 signal receiver

The PX745 driver is designed to control LEDs. The device has been placed inside metal housing. The built-in DMX receiver allows for activating 3 channels (R, G, B) by using directly the DMX protocol. A wide range of supply voltage and a high level of current-carrying capacity enable activating large quantities of LEDs.

PX745 can be controlled by the DMX signal or it can work independently.

In this operation mode, the user has access to a fully programmable stage and 18 default sequences for which he can also change the reproduction speed and the smoothness of transition of particular steps. With the use of 16-bit resolution, controlling the parameters of channels is completely smooth. Moreover, the driver offers an effect control mode which allows for controlling the programs that are built into the device and, at the same time, changing such parameters as speed, brightness and fade settings using the DMX512 signal sent from an external controller.

The driver offers a built-in control signal frequency tuning system ("flicker free" technology), which makes it useful in applications for the television industry. As LEDs from the RGB series often differ in parameters, problems in receiving white colour may occur (triggering 100% at all channels). This is why the PX745 has been equipped with a very useful feature called 'white balance.' With this feature, each set of LEDs can be adjusted so that the control of individual colours by the module enables achieving white colour at full activation.

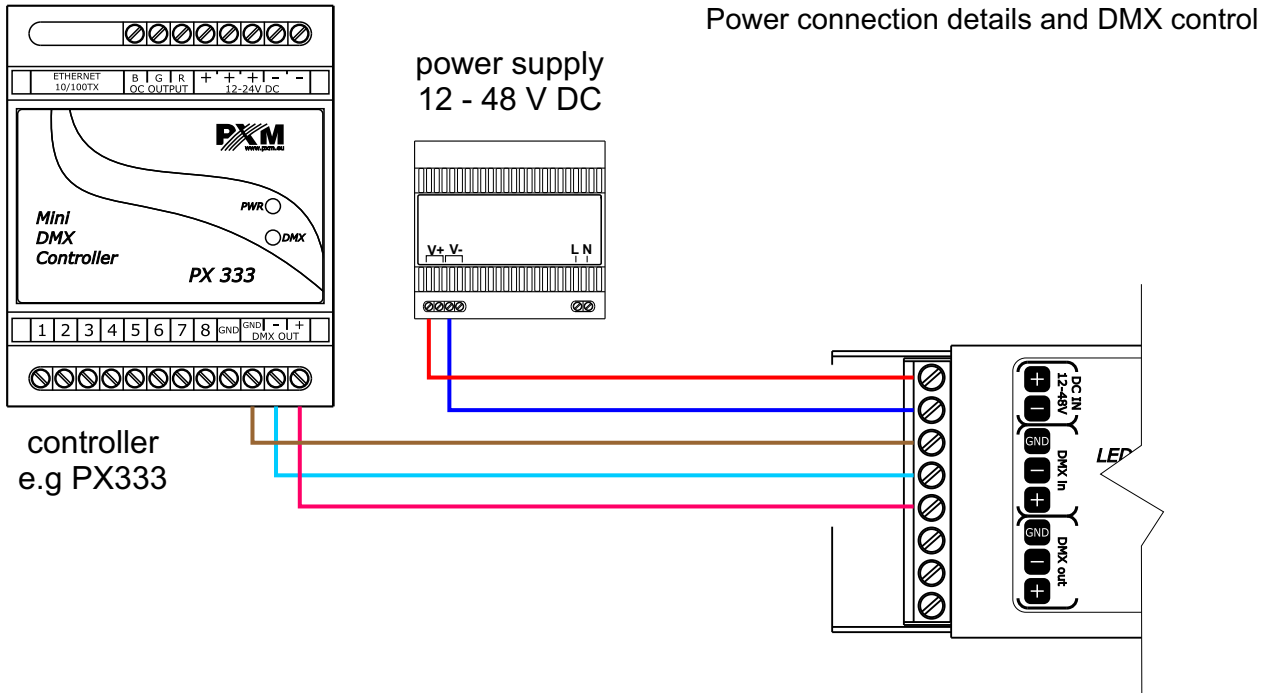
What is more, this feature allows for adjusting colour temperature of white.

PX745 has also been equipped with a function of temperature power output limit and connectors for connecting a temperature sensor.

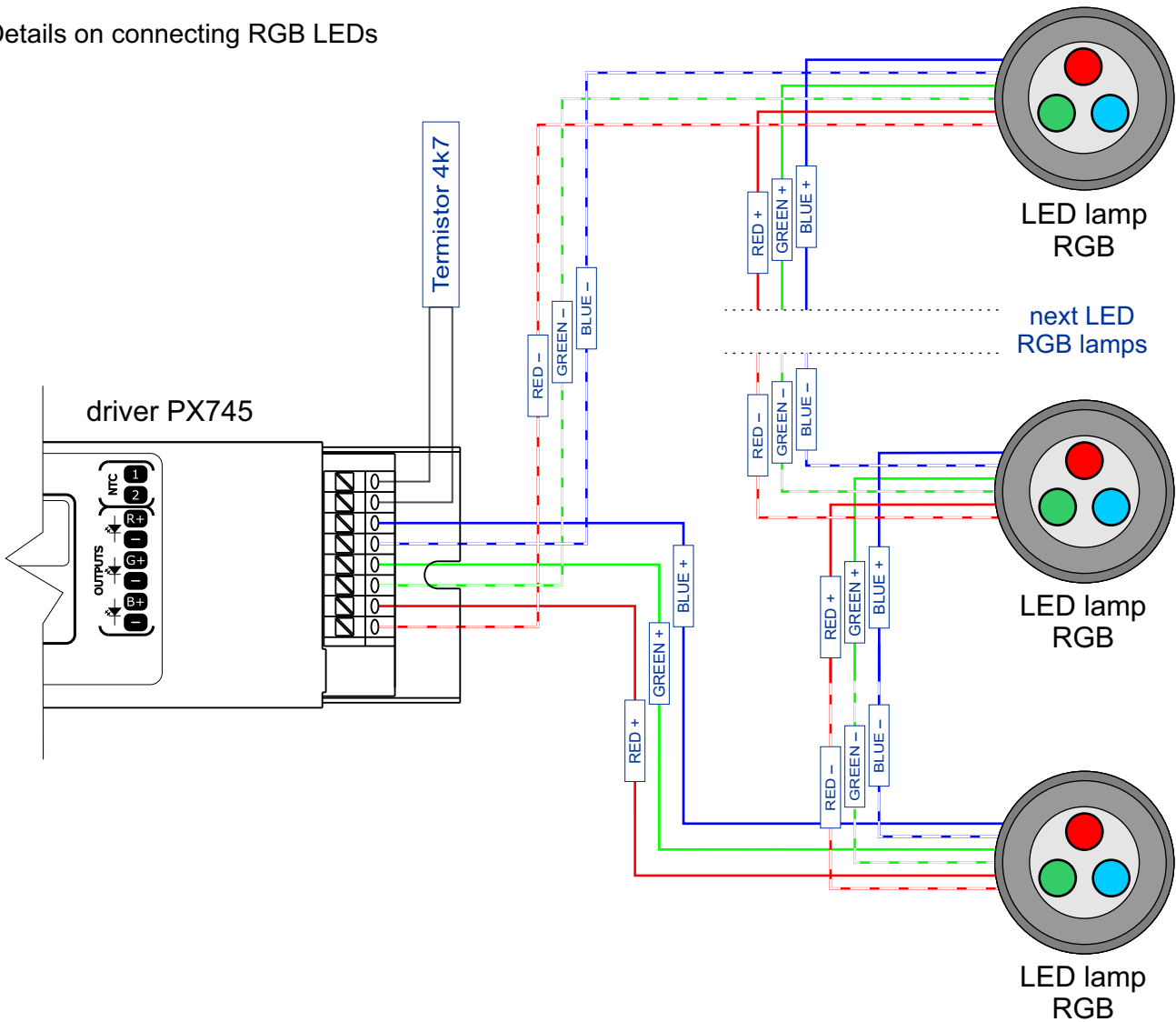
Technical data

Power supply:	12 - 48 V DC
DMX input:	1 (512 channels)
DMX output:	1 (24-512 channels - 3 controlled)
Number of current outputs:	3
Max. current consumption:	1,1 A
No-load power consumption:	0,5 W
Output load capacity:	350 mA / channel
Output sockets:	PCB terminal block; Push-button; max.1.5 mm ²
Scenes number:	1
Built-in programs:	18
MASTER/SLAVE mode:	yes
Control accuracy:	16 bit
Weight:	0,15 kg
Dimensions:	Width: 192 mm Height: 20,6 mm Depth: 44,8 mm

Connection scheme



Details on connecting RGB LEDs



Technical drawing

