



■ Features :

- Easy configuration & installation
- 6 protected output channels
- Independent dimming control on each channel
- Up to 128 wireless batteryless switches connected possible
- Built-in wire push dimming function*
- Suitable for constant voltage lighting application
- Possible for constant current lighting application(optional)
- Multiple dimmer application via CANBus possible(optional)
- Up to 30 meter wireless distance
- 5 year warranty

■ Description :

WPD-06 is a wireless dimming device for 12/24V LED strips work with batterless switches with mounting plate which can be perfectly fitted into the wall in standard household application. No more dimming wire to be installed.

■ Benefits:

- Powered by any DC source between 10-32 VDC
- Work with EnOcean switches with no battery required
- Work with EnOcean switches with no maintenance required
- Standard wall mounting form factor for switches
- Cost saving solution due to no physical wire between dimmer and switch
- Excellent dimming experience compared to traditional AC mains dimming
- Possible for constant current lighting application(optional)
- Suitable for 2-way dimming switching home application e.g. staircase lighting



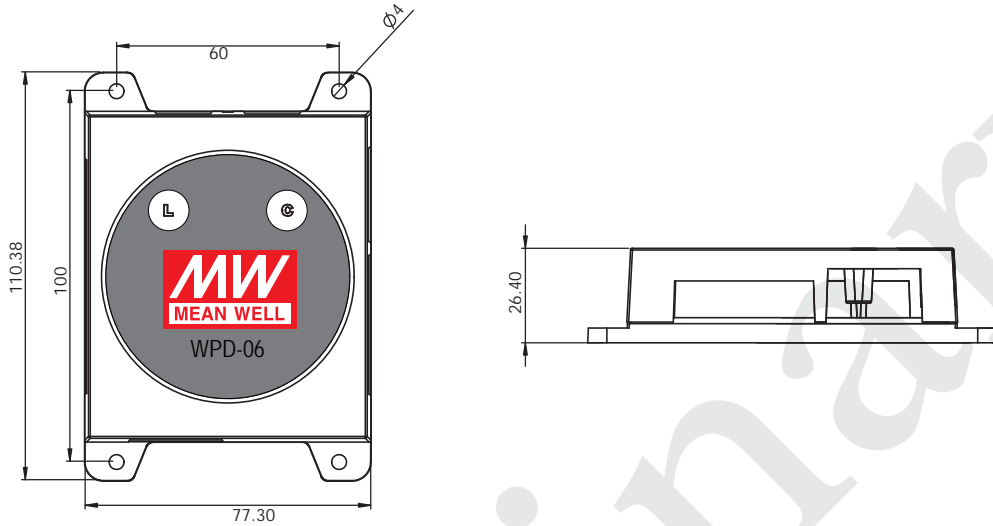
SPECIFICATION

MODEL		WPD-06
OUTPUT	DC VOLTAGE	Depending on input voltage
	RATED CURRENT	4,5A each channel - 27A for the entire module
	RATED POWER	12V ~ 324W - 24V ~ 648W
	OUTPUT CHANNEL	6
	DIMMING	1 to 100%
	TERMINAL	Clamping Spring disconnectable terminal for solid or stranded copper conductors 0,25 to 2,5mm ²
INPUT	VOLTAGE RANGE	10- 32VDC SELV
	DC CURRENT	27A
	STANDBY POWER	1.2W(Typ.)
	TERMINAL	Clamping Spring disconnectable terminal for solid or stranded copper conductors 0,25 to 2,5mm ²
PROTECTION	OVERLOAD	150% rated output power for 300ms max. Protection type : Electronic shut down rated at 5A. Restart by switching On again the output of channel
	OVERVOLTAGE	Transient protection starting at 33V
FUNCTION	WIRELESS CONTROL	Use ENOCEAN wireless batteryless switches or actuators
	WIRELESS DISTANCE	30 meter(Typ.)
	FREQUENCY OPERATION	868MHz (other frequency available on request)
	WIRE CONTROL	Push dimming
EMVIRONMENT	WORKING TEMP.	-40 ~ +60°C
	WORKING HUMIDITY	20 ~ 90% RH non-condensing
	STORAGE TEMP., HUMIDITY	-40 ~ +85°C, 10
SAFETY & EMC	VIBRATION	10-500Hz, 2G 10min./1cycle, 60min. each along X, Y, Z axes
	SAFETY STANDARDS	Design refer to EN61347-1, 61347-2-13, 61347-2-11
	EMC EMISSION	Compliance to EN55015, ETSI EN300220-1, 300220-2, 301489-1, 401489-3
OTHERS	EMC IMMUNITY	Compliance to EN61547
	MTBF	50 Khrs min.
	DIMENSION	110*77*26.4 mm (L*W*H)- Weight 0,120Kg
NOTE	1. Do not wire push dimming inputs with an external voltage, especially not a mains voltage of 230 V .	

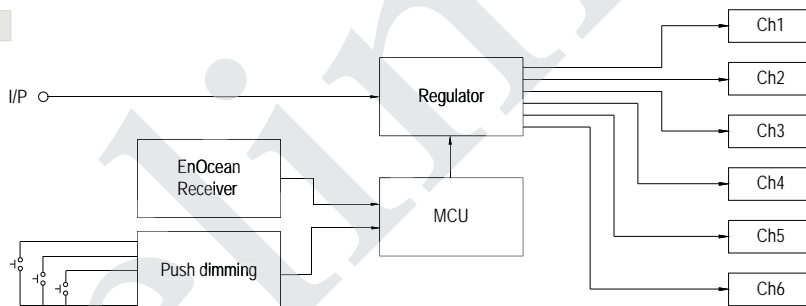
■ Mechanical Specification

Case No. WPD-06

Unit:mm



■ Block Diagram

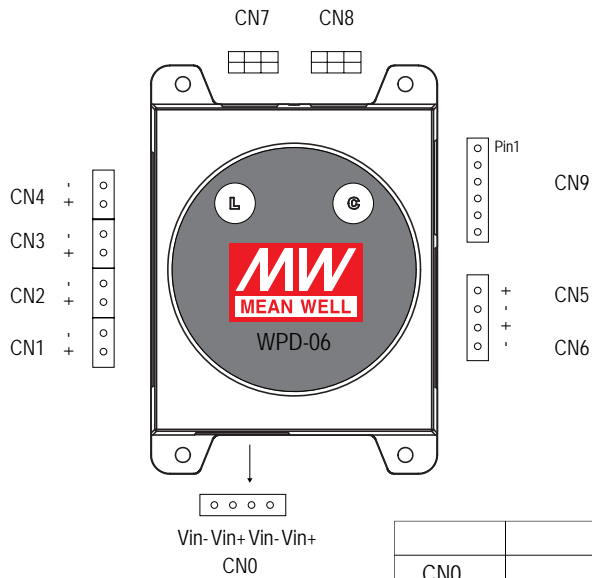


■ Batteryless wireless switch supplier

Manufacturer	Model*
Legrand	0 784 42
Siemens	5WG4222-3AB10
Berker	24121009
Jung	ENO A 595
Busch-jaeger	EASYSSENS/ ENOCEAN
Gira	2422 03
Peha	D 455/61.022 FU-BLS N
Eltako	F4T65
VIMAR	20505+20506.B+21507.B

*: The model is only for reference. For more information please contact original supplier.

■ Connector description



CN9: Push dimming and other control Pin No. assignment

Pin No.	Function
1	Optional coding plug
2	Ground
3	Bypass input(default open)
4	Push dimming
5	Push dimming
6	Push dimming

	Function	Matting connector	Max. wire thickness
CN0	Vin	WAGO - 2092-1104/002-000 or 2092-1102/002-000 x 2	2.5mm ²
CN1	Vout_channel1	WAGO - 2092-1102/002-000	2.5mm ²
CN2	Vout_channel2	WAGO - 2092-1102/002-000	2.5mm ²
CN3	Vout_channel3	WAGO - 2092-1102/002-000	2.5mm ²
CN4	Vout_channel4	WAGO - 2092-1102/002-000	2.5mm ²
CN5	Vout_channel5	WAGO - 2092-1102/002-000	2.5mm ²
CN6	Vout_channel6	WAGO - 2092-1102/002-000	2.5mm ²
CN7	N.C.		
CN8	N.C.		
CN9	Push dimming and other control	WAGO - 2091-1106/002-000	1.5mm ²

■ Dimmer button description

L (Learn) Button:

Pressing on this button enter the **pairing mode**. This is indicated by the first output blinking. Press L button again will jump to the next channel to pair and allow leaving the pairing mode after the seventh(7) press.

If no other action follow the first press, the dimmer come back to its normal mode after two minutes.

C (Clear) Button:

In pairing mode, a long press (1.5sec) on the C button erases the pairing of the blinking output.

In normal mode, a long press (1.5sec) on the C button erases the 6 outputs of the dimmer and it will automatically enter the pairing mode on Channel 1. Press L button 6 times to exit the pairing mode.

Remark: It is also possible to erase one switch from one channel (without erasing the other wireless batteryless switches paired on this output)

Installation & Pairing

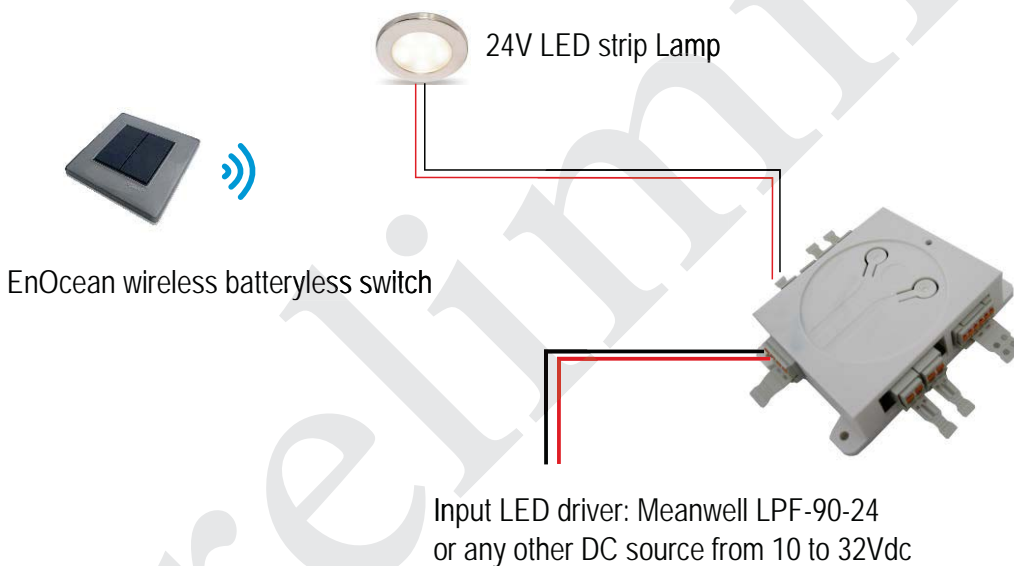
1. Connect a 10-32V DC power/driver to CNO using plug.
2. Connect at least one LED strip lamp to any channel using plug.

The following steps is assumed that one LED strip lamp connected to Channel 1 (CN1):

- 1) Long press L button on dimmer and LED connected to Channel 1 is now blinking. It means now Channel 1 is at pairing mode.
- 2) Press on wireless batteryless switch to pair it. First press on switch is set to turn on Channel1. Second press on switch is set to turn off Channel1. The LED is blinking again.
Now this wireless batteryless switch is paired with Channel 1. In case there is another switch needs to be paired, re-do the step 2).
- 3) Press L button on dimmer. The pairing is now moving to Channel 2. Any LED connected to Channel 2 is now blinking.
- 4) Press L button on dimmer. The pairing is now moving to Channel 3. Any LED connected to Channel 3 is now blinking.
- 5) Press L button on dimmer. The pairing is now moving to Channel 4. Any LED connected to Channel 4 is now blinking.
- 6) Press L button on dimmer. The pairing is now moving to Channel 5. Any LED connected to Channel 5 is now blinking.
- 7) Press L button on dimmer. The pairing is now moving to Channel 6. Any LED connected to Channel 6 is now blinking.
- 8) Press L button on dimmer to finish the pairing.
- 9) Now the system is set and ready to control the LED lamp on channel 1.

Dimming function:

Press the wireless batteryless switch to turn on the LED.
Press again and hold it till the light is dimmed to the level as request.
Release the switch.



Demo Kit

Order code: WPD-06KIT

It contains the following:

	Item	Quantity
1)	WPD-06 dimmer	1
2)	EnOcean wireless batteryless 2 Key (4 switches)	1
3)	WAGO - 2092-1102/002-000 plug	8



EnOcean wireless batteryless 2 Key (4 switches)