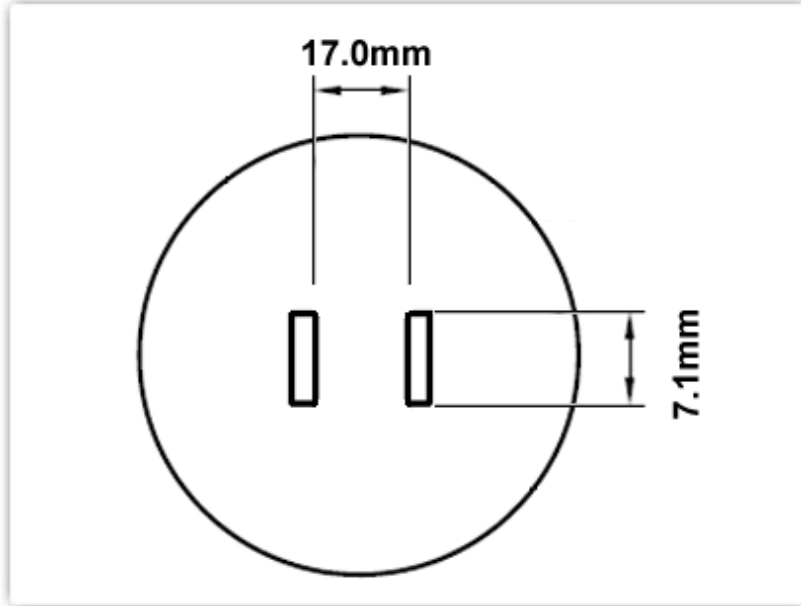


HTN-TS24 Datasheet

Technical Specifications



HTN-TS24

**Nozzle 17.0mm x 7.1mm, TSOP
20-24 PIN**

Nozzle Style: TSOP 20-24 PIN
Nozzle Width: 17.00mm (0.67")
Nozzle Height: 7.10mm (0.28")

Nozzle Type:	HTN Series
RoHS Compliant / Lead Free:	YES
Equivalent to:	H-TS24
For Use With:	TMT-HA200, TMT-HA300, HCT-900

Material Composition

Stainless Steel



**All components
are RoHS
compliant and
Lead-Free.**



**Standard Connector
22mm (0.87") diameter**