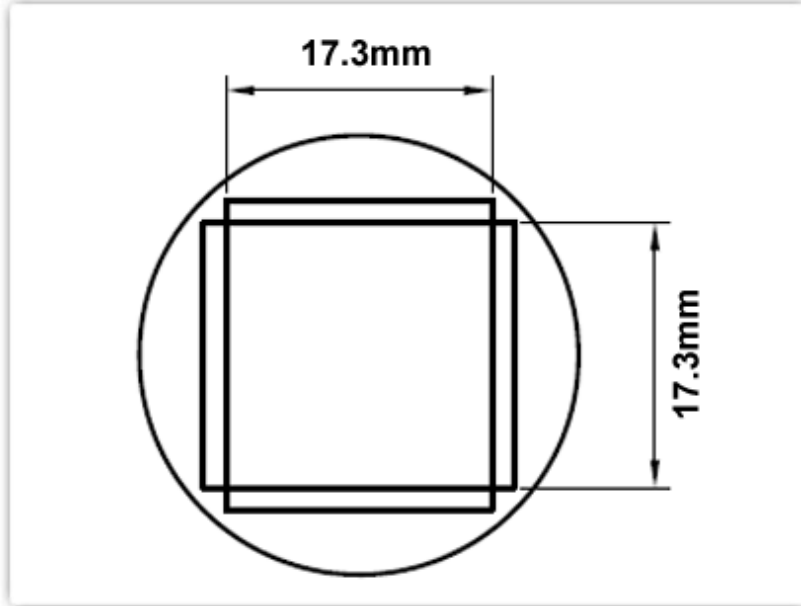


## HTN-QF80 Datasheet

### Technical Specifications



#### HTN-QF80

*Nozzle 17.3mm x 17.3mm, QFP-52,80*

Nozzle Style: QFP-52,80

Nozzle Width: 17.30mm (0.68")

Nozzle Height: 17.30mm (0.68")

Nozzle Type:	HTN Series
RoHS Compliant / Lead Free:	YES
Equivalent to:	H-Q14
For Use With:	TMT-HA200, TMT-HA300, HCT-900

### Material Composition

**Stainless Steel**



**All components  
are RoHS  
compliant and  
Lead-Free.**



**Standard Connector  
22mm (0.87") diameter**