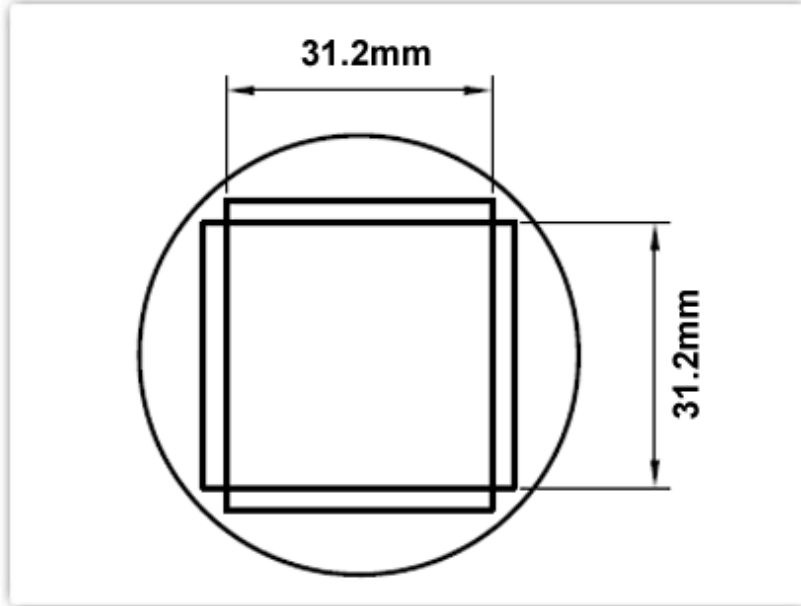


HTN-QF160 Datasheet

Technical Specifications



HTN-QF160

Nozzle 31.2mm x 31.2mm, QFP-120, 128, 144, 160

Nozzle Style: QFP-120, 128, 144, 160

Nozzle Width: 31.20mm (1.23")

Nozzle Height: 31.20mm (1.23")

Nozzle Type:	HTN Series
RoHS Compliant / Lead Free:	YES
Equivalent to:	H-Q28
For Use With:	TMT-HA200, TMT-HA300, HCT-900

Material Composition

Stainless Steel



All components are RoHS compliant and Lead-Free.



**Standard Connector
22mm (0.87") diameter**